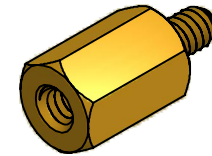
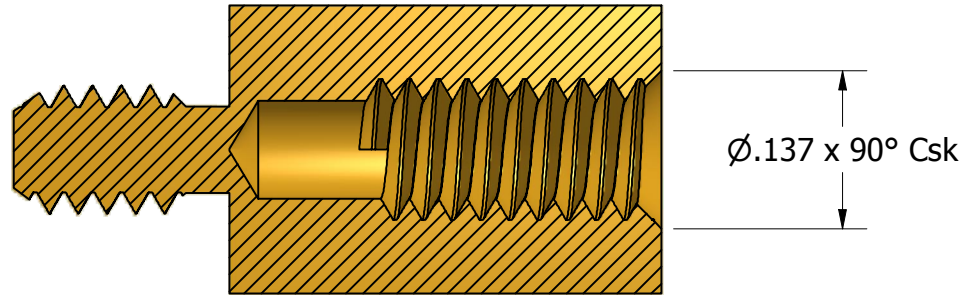
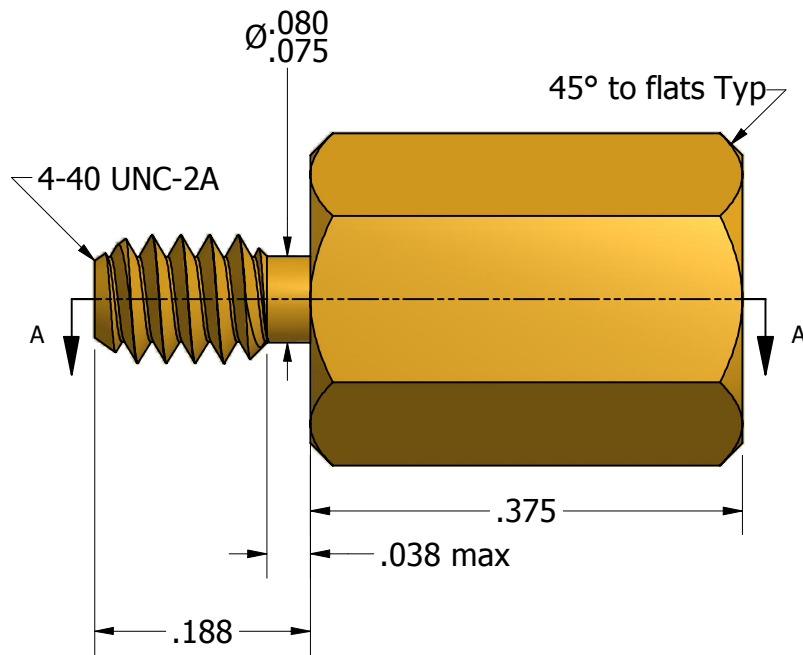


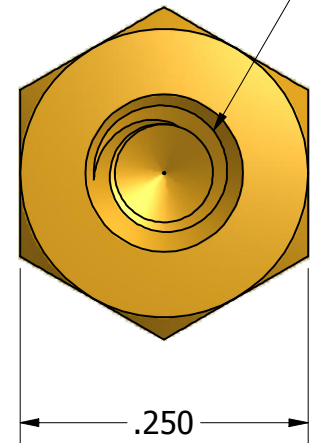
SECTION A-A



ISO SCALE 2 : 1



4-40 UNC-2B
x 0.25 min.



Tolerances Unless Otherwise Specified:

.xx Decimal: $\pm .02$
.xxx Decimal: $\pm .005$
Fraction: $\pm 1/64$
Angle: $\pm 2^\circ$

LYN-TRON, INC.

Part Number:

BR6980-0.375

Description:

1/4 Hex Male-Female Standoff

Drawn By:

RICKZ

08/01/2012

Gauge:

Material:

Brass

Scale:

6 : 1