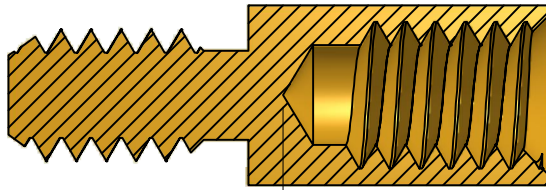
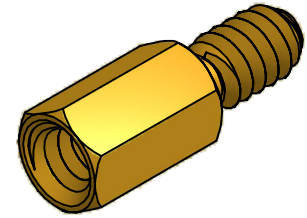


SECTION A-A

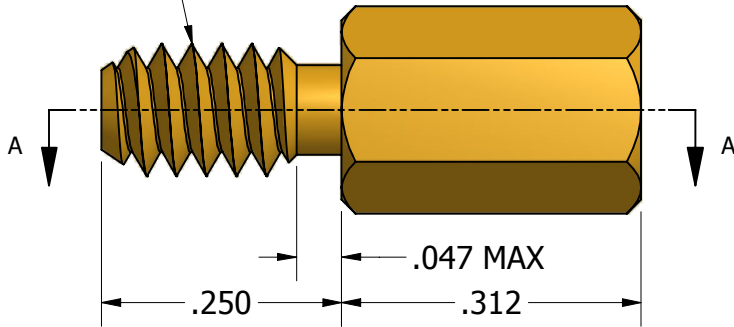


.030 MIN



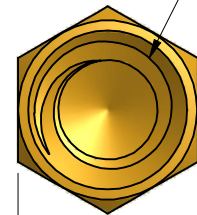
ISO SCALE 3 : 1

6-32 UNC-2A



6-32 UNC-2B

▽ .198 MIN



.187

Tolerances Unless Otherwise Specified:

**.xx Decimal:** ± .01  
**.xxx Decimal:** ± .004  
**Fraction:** ± 1/64  
**Angle:** ± 2°

**LYN-TRON, INC.**

Part Number:

**BR6977-0.312**

Description:

**3/16 Hex Male-Female Standoff**

Drawn By:

**Rick Z 8/22/2011**

Gauge:

Material:

**Brass**

Scale:

**5:1**