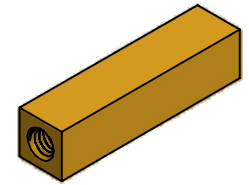
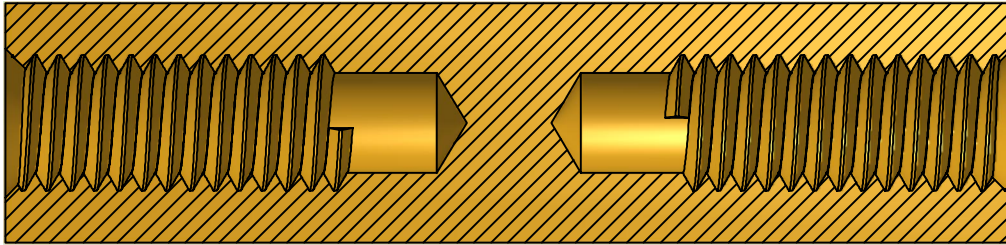
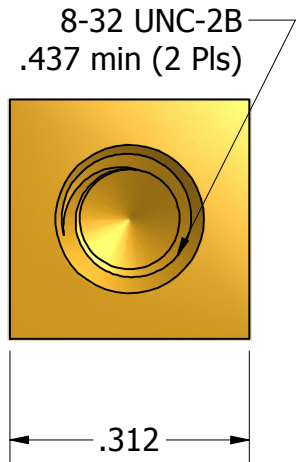
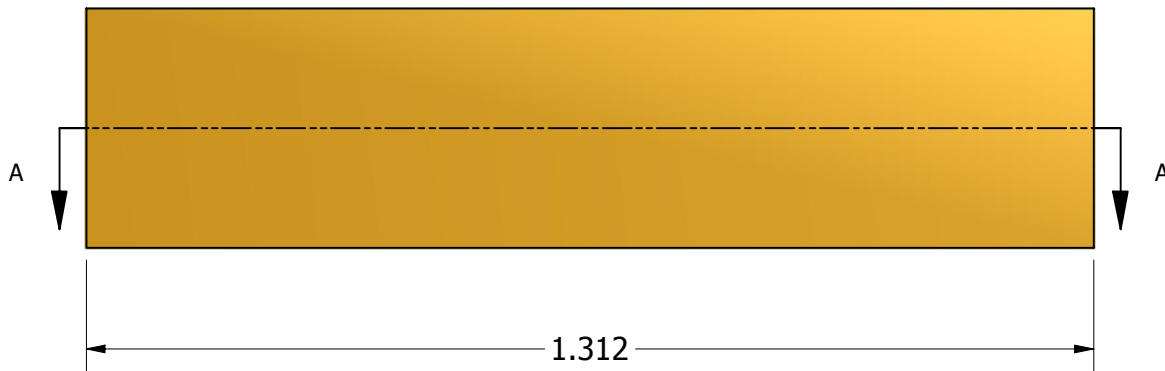


SECTION A-A



ISO SCALE 1 : 1



Tolerances Unless Otherwise Specified:

- .xx Decimal:** ± .02
- .xxx Decimal:** ± .005
- Fraction:** ± 1/64
- Angle:** ± 2°

LYN-TRON, INC.

Part Number:

BR6962-0832-1.312

Description:

5/16 Square Standoff

Drawn By:

COURTNEYS09/10/2011

Gauge:

Material:

Brass

Scale:

4 : 1