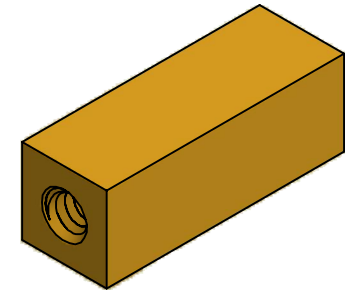
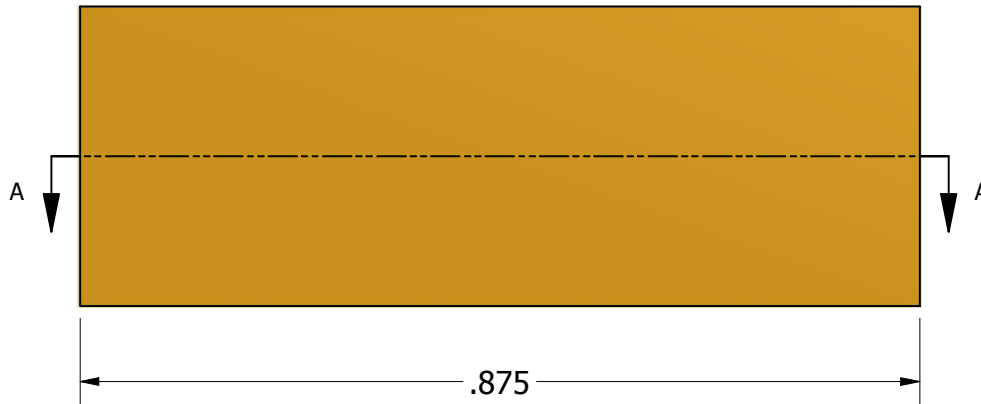


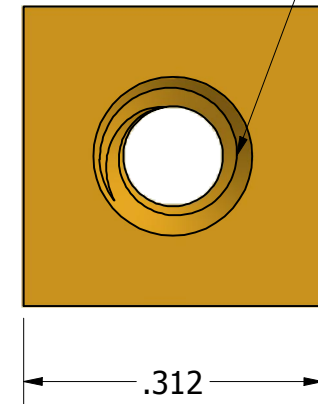
SECTION A-A



ISO SCALE 2 : 1



6-32 UNC-2B Thru



Tolerances Unless Otherwise Specified:

.xx Decimal: ± .02
.xxx Decimal: ± .005
Fraction: ± 1/64
Angle: ± 2°

LYN-TRON, INC.

Part Number:
BR6962-0632-0.875

Description:
5/16 Square Standoff

Drawn By:
COURTNEYS09/10/2011

Gauge:
 Material:
Brass

Scale:
5 : 1