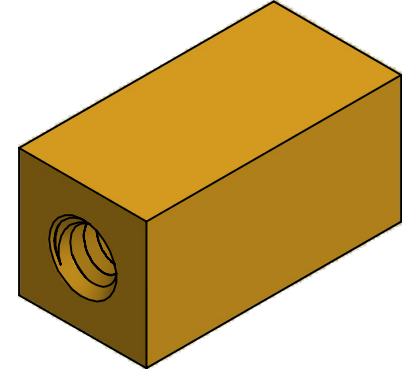
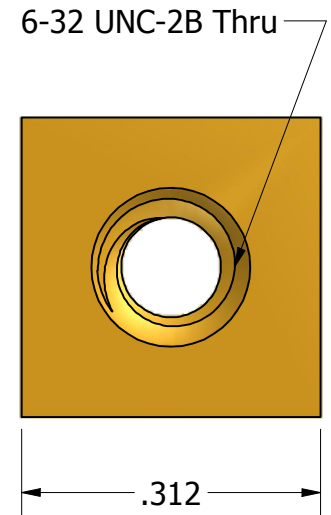
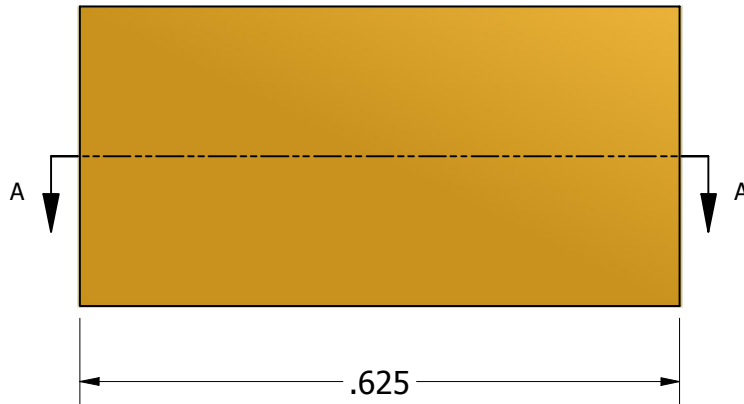


SECTION A-A



ISO SCALE 3 : 1



6-32 UNC-2B Thru

Tolerances Unless Otherwise Specified:

.xx Decimal: $\pm .02$
.xxx Decimal: $\pm .005$
Fraction: $\pm 1/64$
Angle: $\pm 2^\circ$

LYN-TRON, INC.

Part Number:

BR6962-0632-0.625

Description:

5/16 Square Standoff

Drawn By:

COURTNEYS09/10/2011

Gauge:

Material:

Brass

Scale:

5 : 1