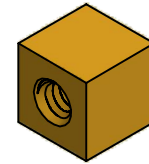
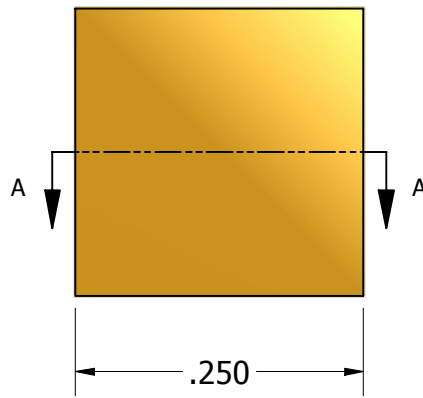


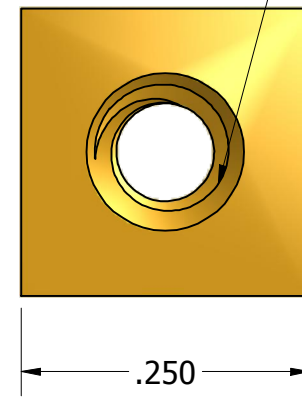
SECTION A-A



ISO SCALE 2 : 1



4-40 UNC-2B Thru



| | | | |
|--|-------------------|----------------------------|--------------|
| Tolerances Unless Otherwise Specified: | | | |
| .xx Decimal: | ± .02 | | |
| .xxx Decimal: | ± .005 | Part Number: | |
| Fraction: | ± 1/64 | BR6961-0440-0.250 | |
| Angle: | ± 2° | Description: | |
| | | 1/4 Square Standoff | |
| Drawn By: | Gauge: | Material: | Scale: |
| RICKZ | 09/08/2011 | Brass | 6 : 1 |