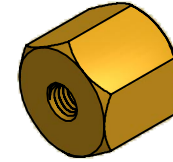
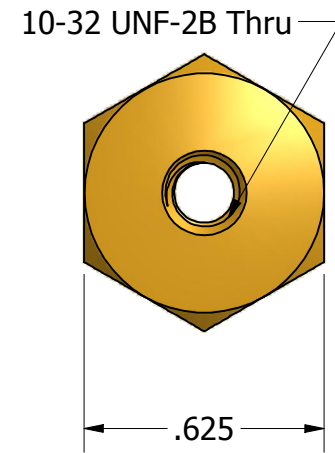
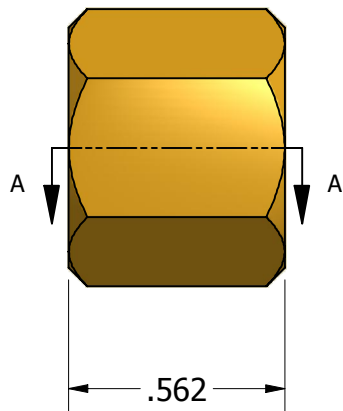


SECTION A-A



ISO SCALE 1 : 1



Tolerances Unless Otherwise Specified:		<b>LYN-TRON, INC.</b>	
<b>.xx Decimal:</b>	$\pm .02$		
<b>.xxx Decimal:</b>	$\pm .005$	Part Number:	
<b>Fraction:</b>	$\pm 1/64$	<b>BR6956-1032-0.562</b>	
<b>Angle:</b>	$\pm 2^\circ$	Description:	
		<b>5/8 Hex Standoff</b>	
Drawn By:	Gauge:	Material:	Scale:
<b>JEFFN</b>	<b>07/09/2010</b>	<b>Brass</b>	<b>2 : 1</b>