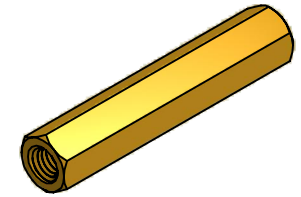
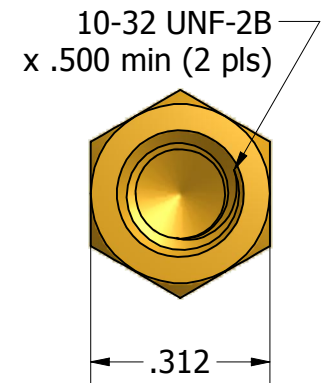
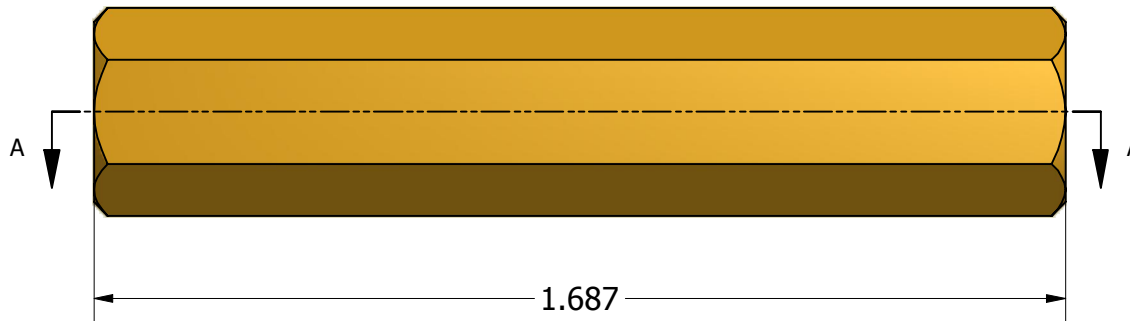




SECTION A-A



ISO SCALE 1 : 1



Tolerances Unless Otherwise Specified:		<b>LYN-TRON, INC.</b>	
.xx Decimal:	± .01		
.xxx Decimal:	± .004	Part Number:	
Fraction:	± 1/64	<b>BR6952-1032-1.687</b>	
Angle:	± 2°	Description:	
		<b>5/16 Hex Standoff</b>	
Drawn By:	Gauge:	Material:	Scale:
<b>kenang</b>	<b>10/22/2010</b>	<b>Brass</b>	<b>3:1</b>