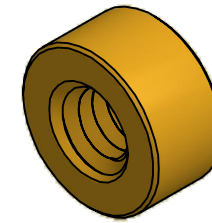
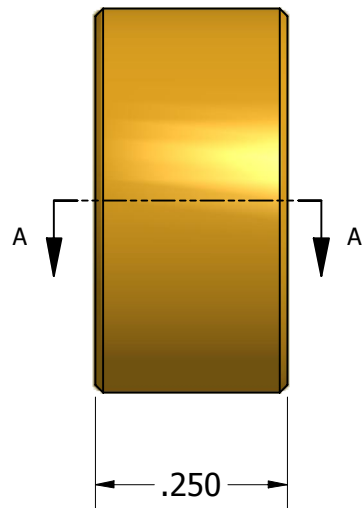
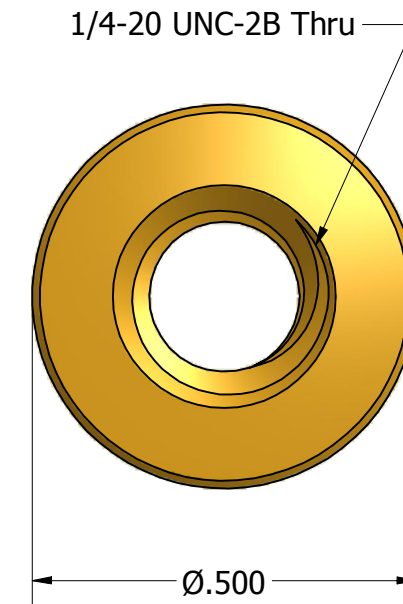


SECTION A-A



ISO SCALE 2 : 1



Tolerances Unless Otherwise Specified:

.xx Decimal: ± .01
.xxx Decimal: ± .004
Fraction: ± 1/64
Angle: ± 2°

LYN-TRON, INC.

Part Number:
BR6945-2520-0.250

Description:
1/2 Round Standoff

Drawn By:
kenang 8/23/2010

Gauge:

Material:
Brass

Scale:
4:1