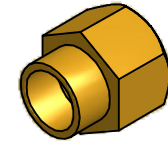
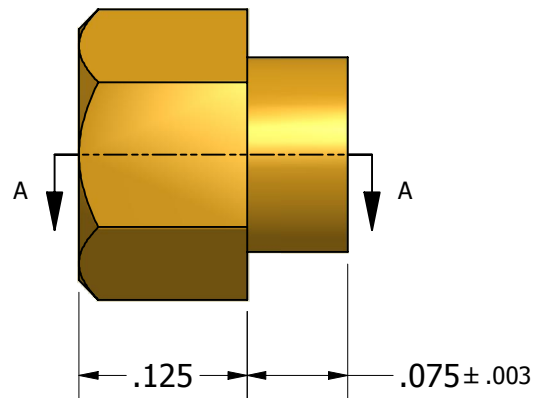


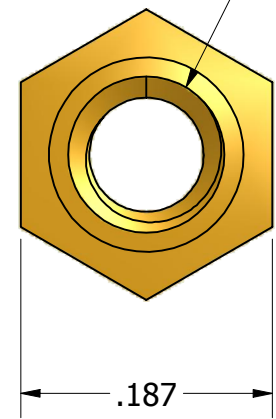
SECTION A-A



ISO SCALE 3 : 1



4-40 UNC-2B Thru



Tolerances Unless Otherwise Specified:

.xx Decimal: ± .02
.xxx Decimal: ± .005
Fraction: ± 1/64
Angle: ± 2°

LYN-TRON, INC.

Part Number:

BR6935A-0.125

Description:

3/16 Hex Swage Standoff

Drawn By:

COURTNEYS06/26/2010

Gauge:

Material:

Brass

Scale:

7 : 1