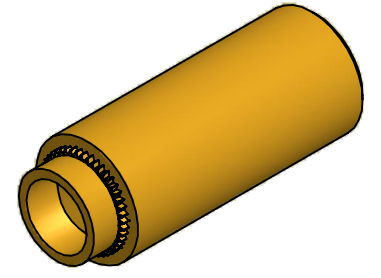
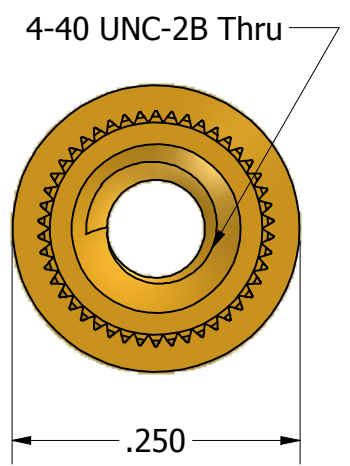
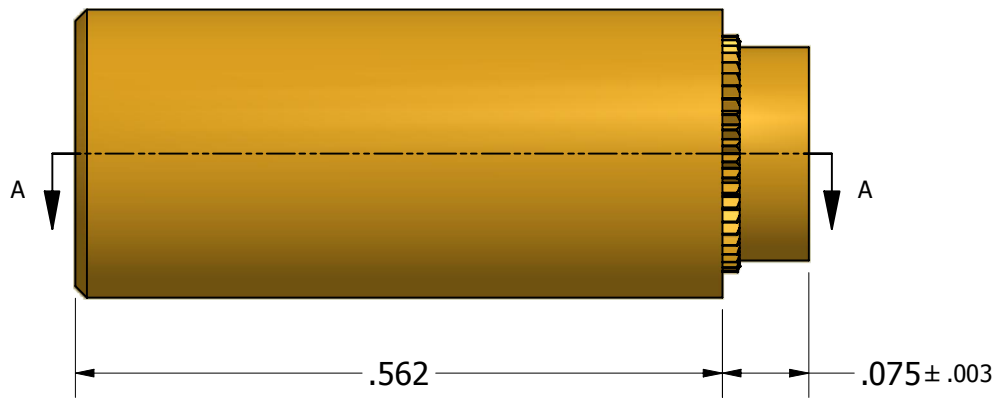


SECTION A-A



ISO SCALE 3 : 1



Tolerances Unless Otherwise Specified:			
.xx Decimal:	± .02		
.xxx Decimal:	± .005	Part Number:	
Fraction:	± 1/64	BR6911SPA-0.562	
Angle:	± 2°	Description:	
		1/4" Rnd 4-40 Swage Standoff	
Drawn By:	Gauge:	Material:	Scale:
COURTNEYS02/22/2012		Brass	6 : 1