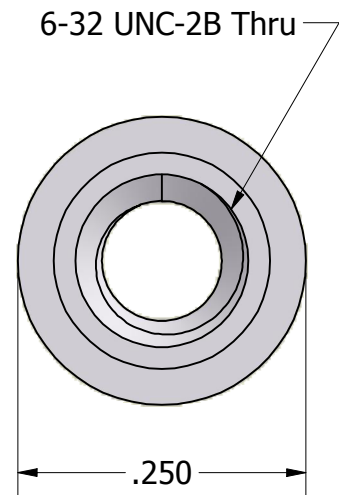
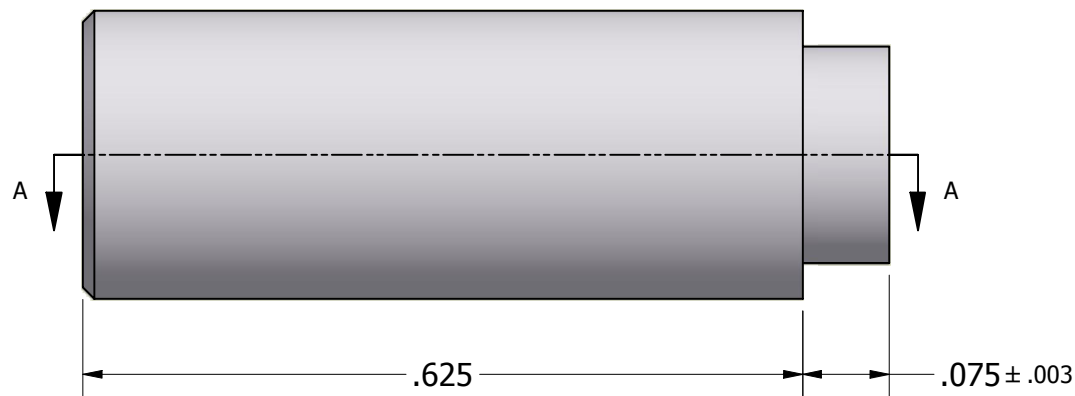


ISO SCALE 3 : 1



Tolerances Unless Otherwise Specified:

.xx Decimal: ± .02
.xxx Decimal: ± .005
Fraction: ± 1/64
Angle: ± 2°

LYN-TRON, INC.

Part Number:

BR6910A-0.625

Description:

1/4 Round Swage Standoff

Drawn By:

JEFFN

06/21/2010

Gauge:

Material:

Brass

Scale:

6 : 1