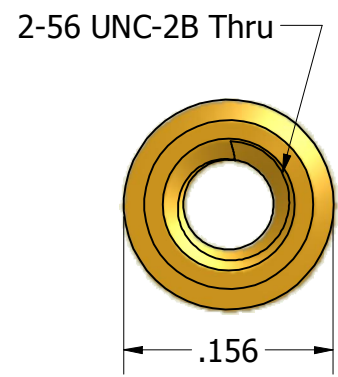
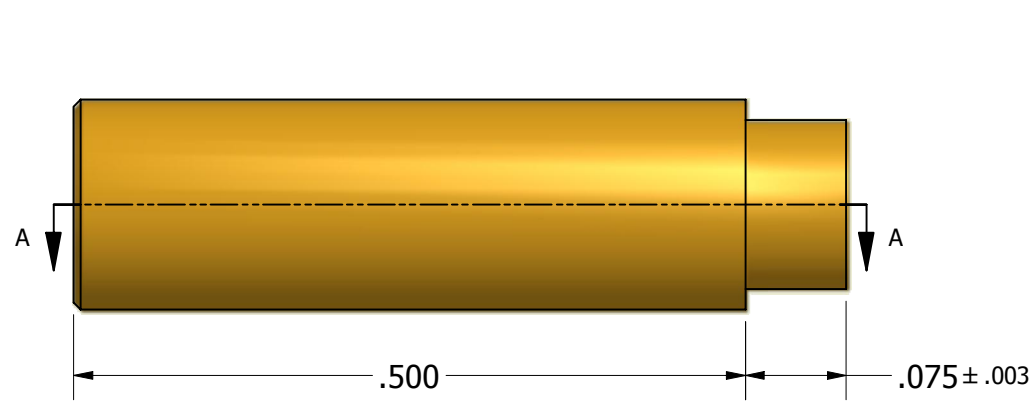


SECTION A-A



ISO SCALE 3 : 1



Tolerances Unless Otherwise Specified:		LYN-TRON, INC.	
.xx Decimal:	± .02		
.xxx Decimal:	± .005	Part Number:	
Fraction:	± 1/64	BR6909A-0.500	
Angle:	± 2°	Description:	
		5/32 Round Swage Standoff	
Drawn By:	Gauge:	Material:	Scale:
JEFFN	06/17/2010	Brass	7 : 1