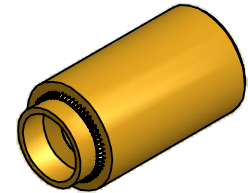
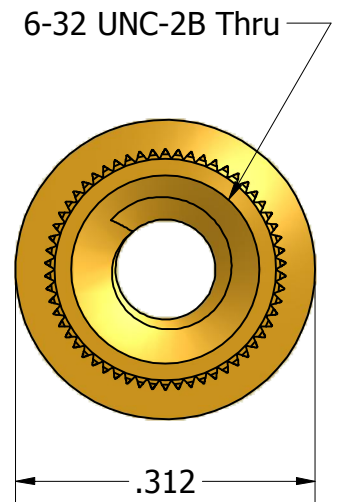
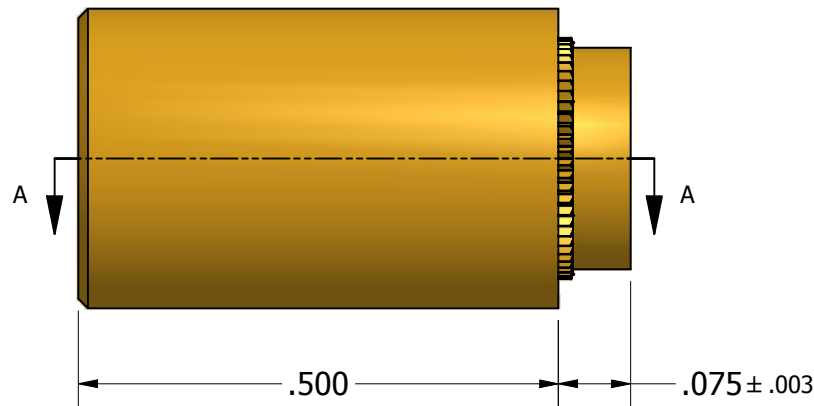


SECTION A-A



ISO SCALE 2 : 1



Tolerances Unless Otherwise Specified:

.xx Decimal: ± .02
 .xxx Decimal: ± .005
 Fraction: ± 1/64
 Angle: ± 2°

LYN-TRON, INC.

Part Number:

BR6907SPA-0.500

Description:

5/16" Rnd 6-32 Swage Standoff

Drawn By:

RICKZ 02/29/2012

Gauge:

Material:

Brass

Scale:

5 : 1