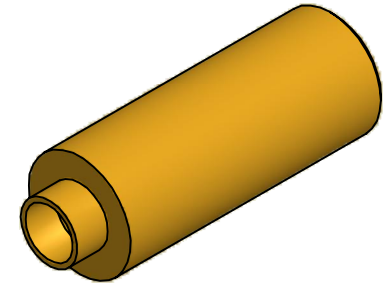
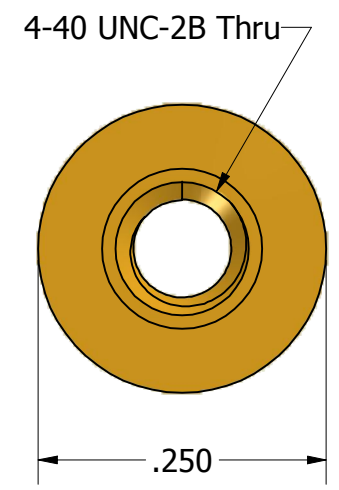
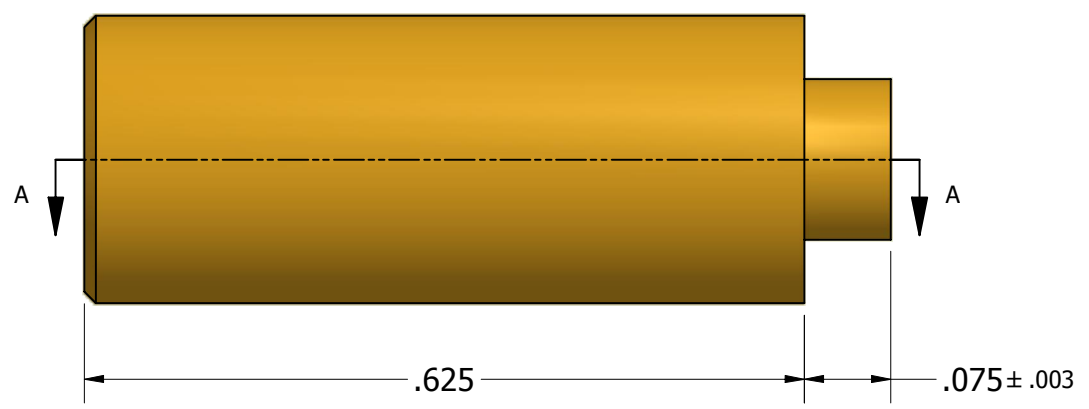


SECTION A-A



ISO SCALE 3 : 1



Tolerances Unless Otherwise Specified:

- .xx Decimal: ± .02
- .xxx Decimal: ± .005
- Fraction: ± 1/64
- Angle: ± 2°

LYN-TRON, INC.

Part Number:
BR6905A-0.625

Description:
1/4 Round Swage Standoff

Drawn By:
JEFFN 06/17/2010

Gauge:

Material:
Brass

Scale:
6 : 1