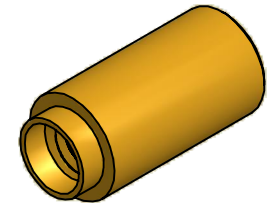
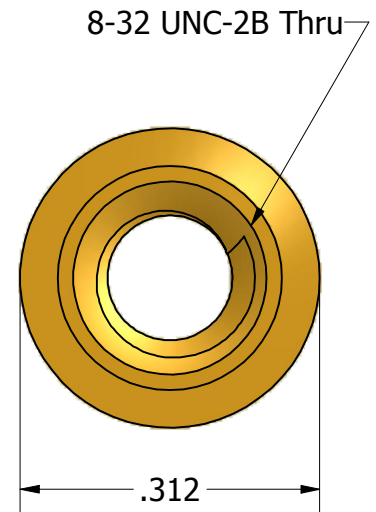
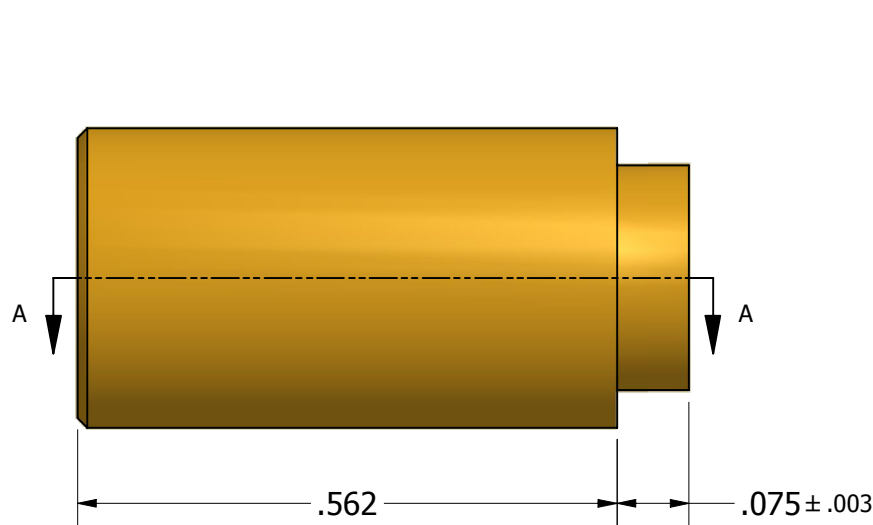


SECTION A-A



ISO SCALE 2 : 1



Tolerances Unless Otherwise Specified:

- .xx Decimal:** ± .02
- .xxx Decimal:** ± .005
- Fraction:** ± 1/64
- Angle:** ± 2°

LYN-TRON, INC.

Part Number:
BR6903A-0.562

Description:
5/16 Round Swage Standoff

Drawn By:
JEFFN 06/23/2010

Gauge:

Material:
Brass

Scale:
5 : 1