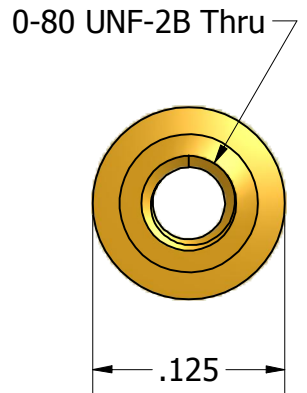
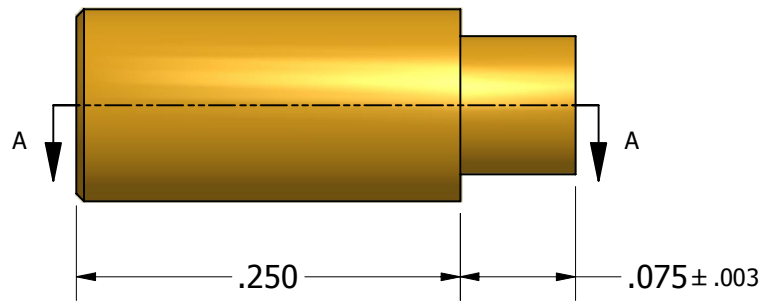


SECTION A-A



ISO SCALE 3 : 1



| | | | |
|--|--------|---------------------------------|--------------|
| Tolerances Unless Otherwise Specified: | | LYN-TRON, INC. | |
| .xx Decimal: | ± .02 | | |
| .xxx Decimal: | ± .005 | Part Number: | |
| Fraction: | ± 1/64 | BR6901A-0.250 | |
| Angle: | ± 2° | Description: | |
| | | 1/8 Round Swage Standoff | |
| Drawn By: | Gauge: | Material: | Scale: |
| COURTNEYS06/17/2010 | | Brass | 8 : 1 |