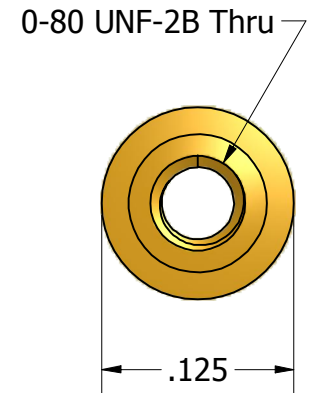
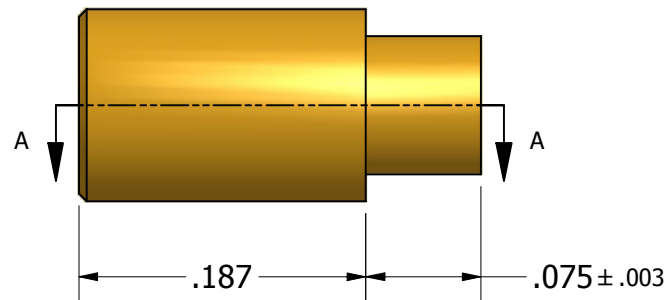


SECTION A-A



ISO SCALE 3 : 1



Tolerances Unless Otherwise Specified:

- .xx Decimal:** ± .02
- .xxx Decimal:** ± .005
- Fraction:** ± 1/64
- Angle:** ± 2°

LYN-TRON, INC.

Part Number:

BR6901A-0.187

Description:

1/8 Round Swage Standoff

Drawn By:

COURTNEYS06/17/2010

Gauge:

Material:

Brass

Scale:

8 : 1