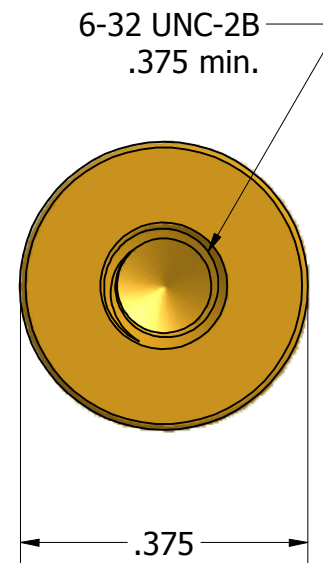
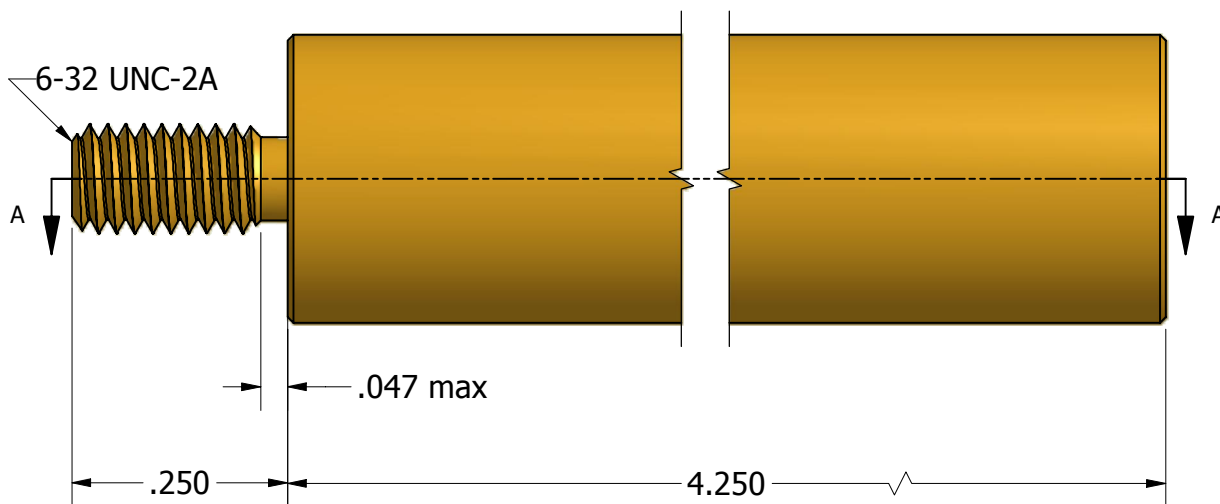
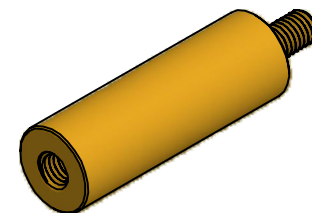
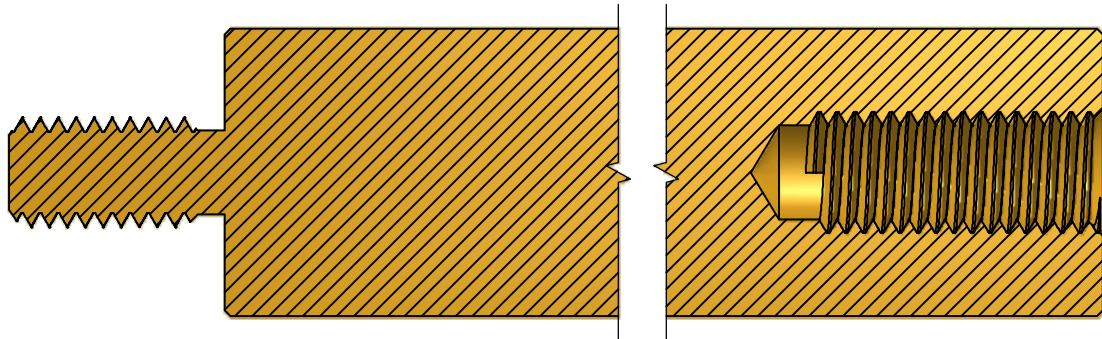


SECTION A-A



Tolerances Unless Otherwise Specified:

- .xx Decimal:** ± .02
- .xxx Decimal:** ± .005
- Fraction:** ± 1/64
- Angle:** ± 2°

**LYN-TRON, INC.**

Part Number:

**BR6884-4.250**

Description:

**3/8 Round Male-Female Standoff**

Drawn By:

**KENANG 07/07/2011**

Gauge:

Material:

**Brass**

Scale:

**NTS**