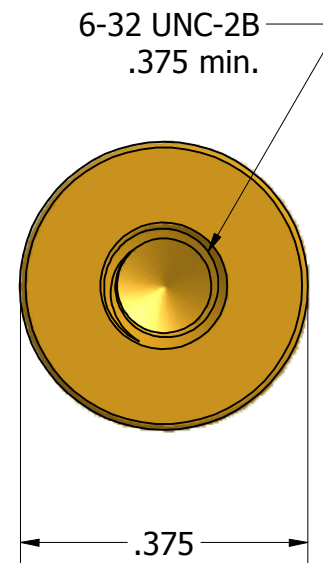
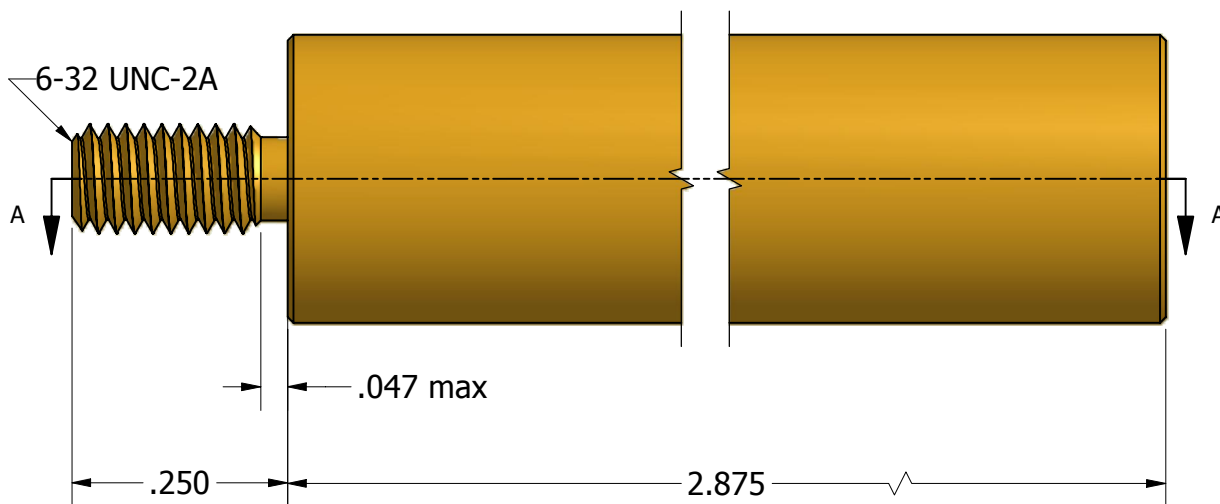
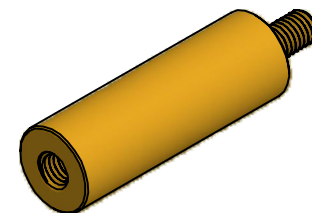
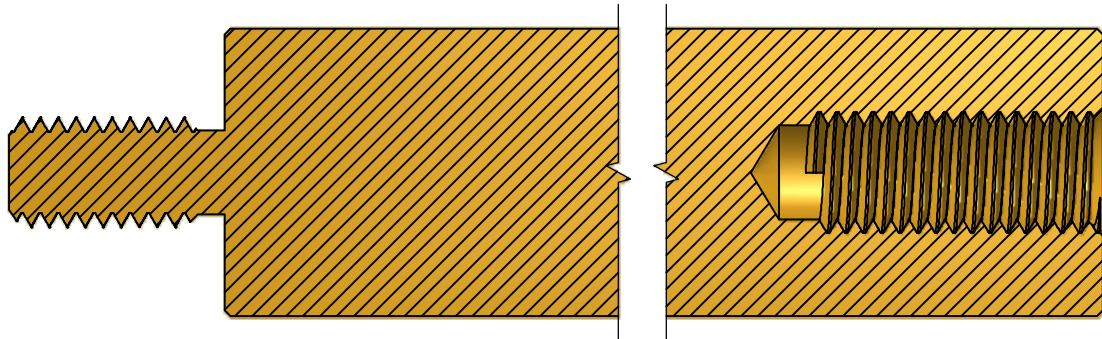


SECTION A-A



Tolerances Unless Otherwise Specified:

.xx Decimal: $\pm .02$
 .xxx Decimal: $\pm .005$
 Fraction: $\pm 1/64$
 Angle: $\pm 2^\circ$

LYN-TRON, INC.

Part Number:
BR6884-2.875

Description:
3/8 Round Male-Female Standoff

Drawn By:
KENANG 07/07/2011

Gauge:
Brass

Material:
Brass

Scale:
NTS