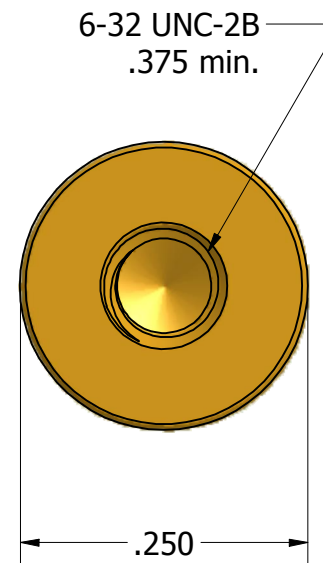
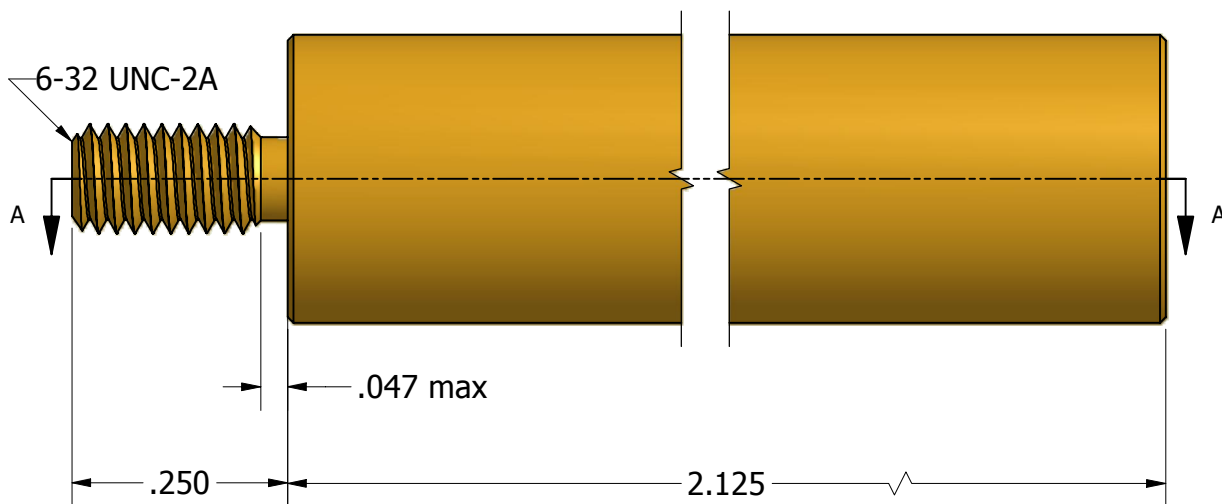
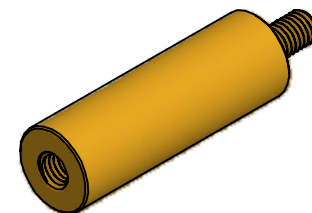
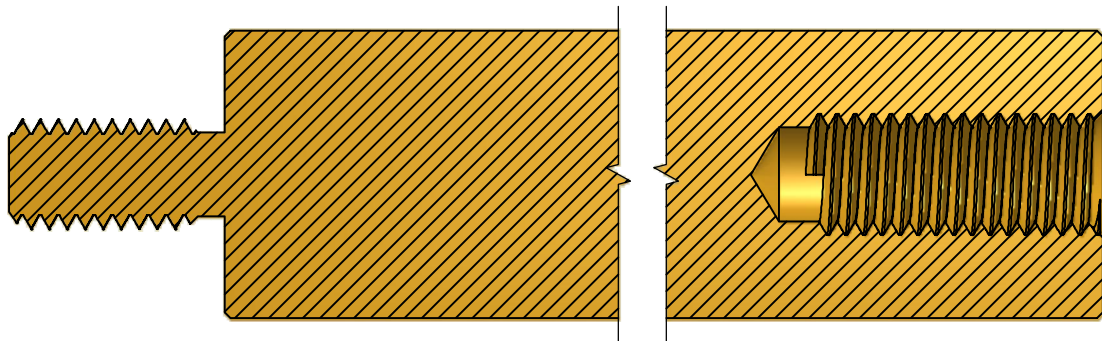


SECTION A-A



Tolerances Unless Otherwise Specified:

.xx Decimal:  $\pm .02$   
 .xxx Decimal:  $\pm .005$   
 Fraction:  $\pm 1/64$   
 Angle:  $\pm 2^\circ$

**LYN-TRON, INC.**

Part Number:  
**BR6881-2.125**

Description:  
**1/4 Round Male-Female Standoff**

Drawn By:  
**COURTNEYS07/05/2011**

Gauge:  
 Material:  
**Brass**

Scale:  
**NTS**