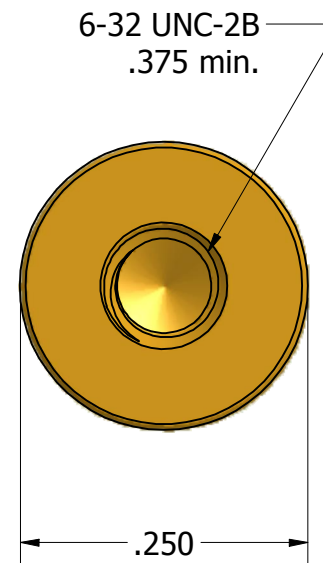
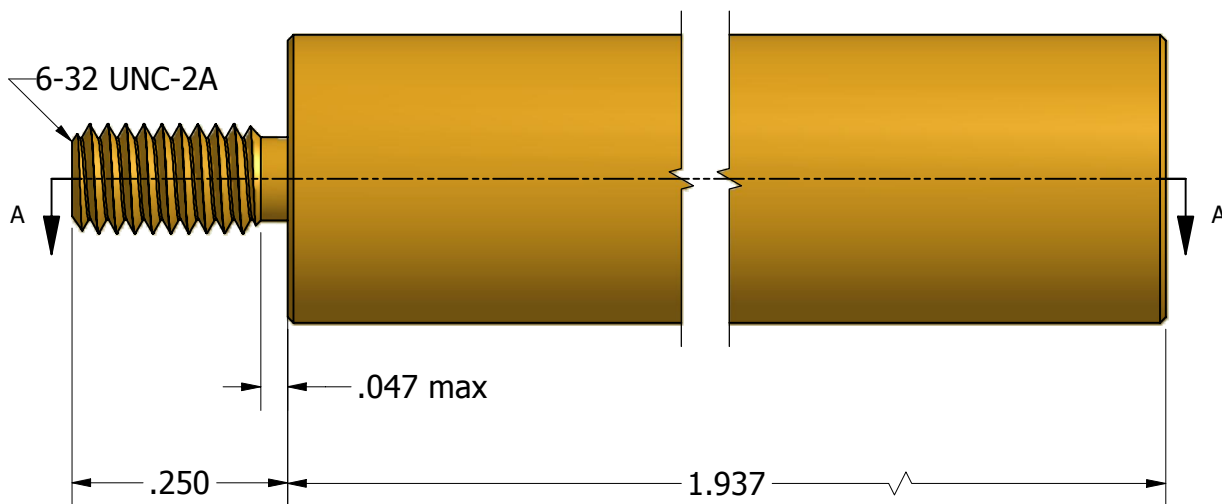
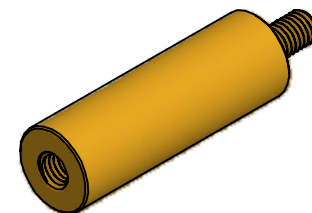
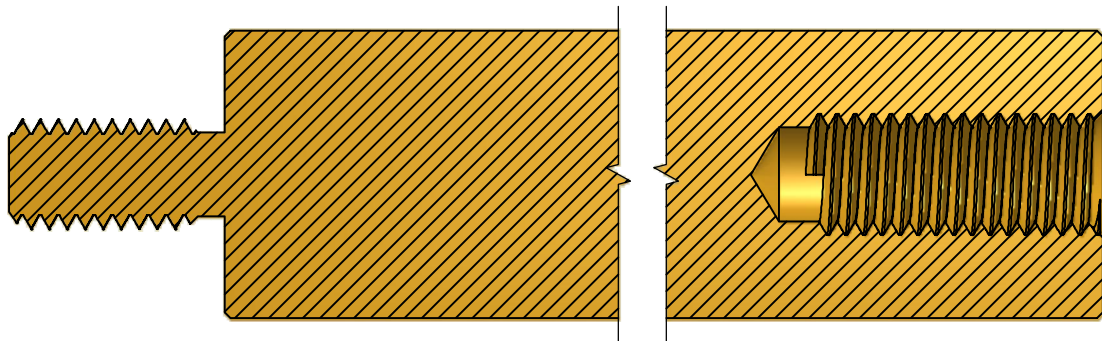


SECTION A-A



Tolerances Unless Otherwise Specified:

.xx Decimal: ± .02
.xxx Decimal: ± .005
Fraction: ± 1/64
Angle: ± 2°

LYN-TRON, INC.

Part Number:
BR6881-1.937

Description:
1/4 Round Male-Female Standoff

Drawn By:
COURTNEYS07/05/2011

Gauge:
Brass

Material:
Brass

Scale:
NTS