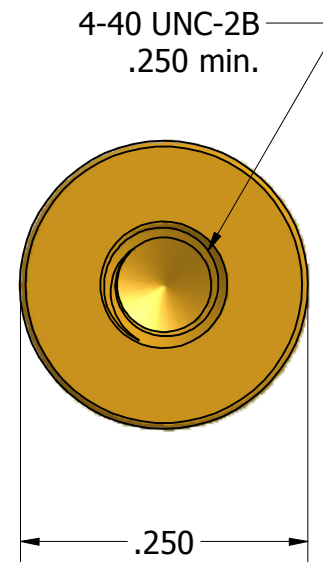
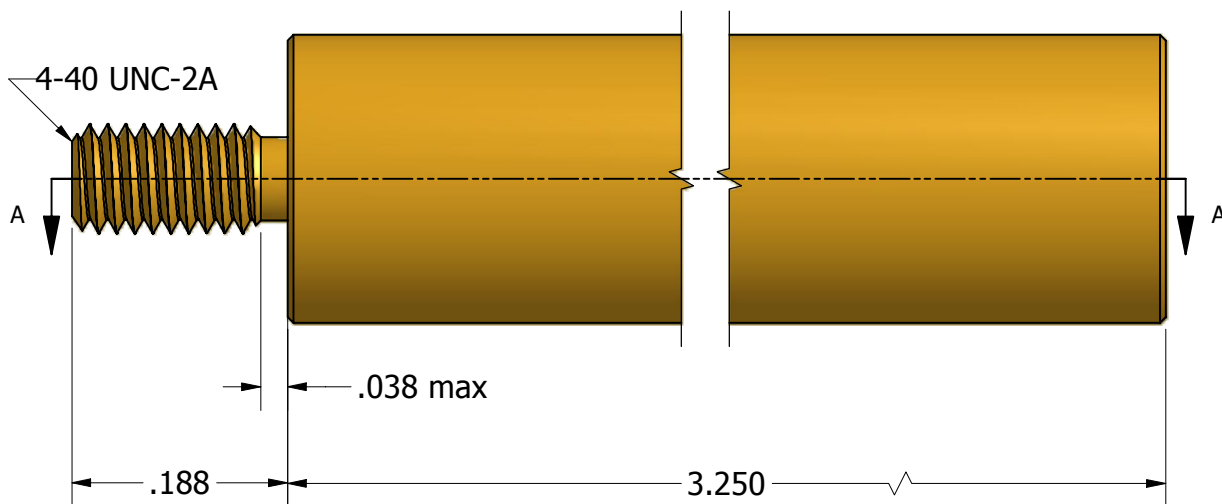
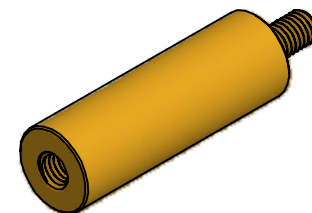
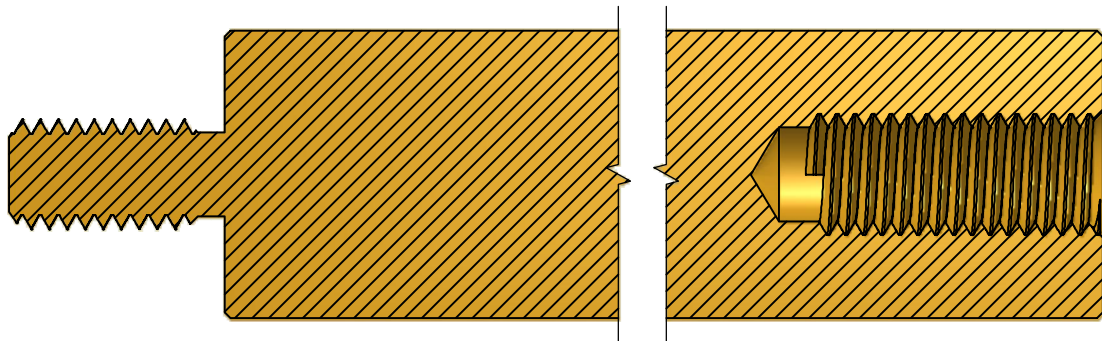


SECTION A-A



Tolerances Unless Otherwise Specified:

**.xx Decimal:** ± .02  
**.xxx Decimal:** ± .005  
**Fraction:** ± 1/64  
**Angle:** ± 2°

**LYN-TRON, INC.**

Part Number:  
**BR6880-3.250**

Description:  
**1/4 Round Male-Female Standoff**

Drawn By:  
**COURTNEYS07/05/2011**

Gauge:

Material:  
**Brass**

Scale:  
**NTS**