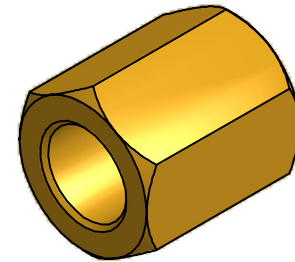
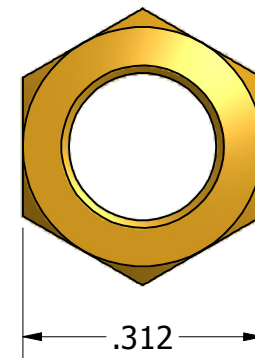
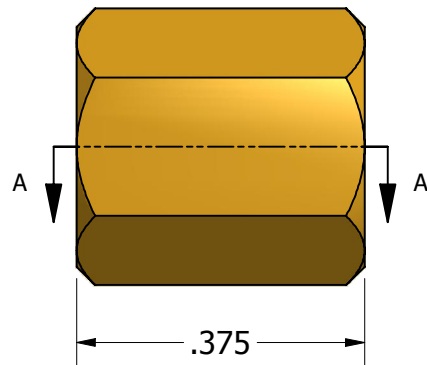


SECTION A-A



ISO SCALE 3 : 1



Tolerances Unless Otherwise Specified:

.xx Decimal: ± .02
.xxx Decimal: ± .005
Fraction: ± 1/64
Angle: ± 2°

LYN-TRON, INC.

Part Number:

BR6352-10-0.375

Description:

5/16 Hex Spacer

Drawn By:

COURTNEYS06/20/2010

Gauge:

Material:

Brass

Scale:

4 : 1