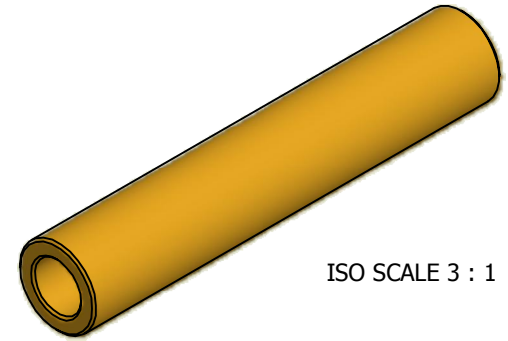
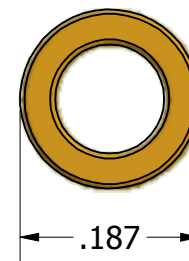
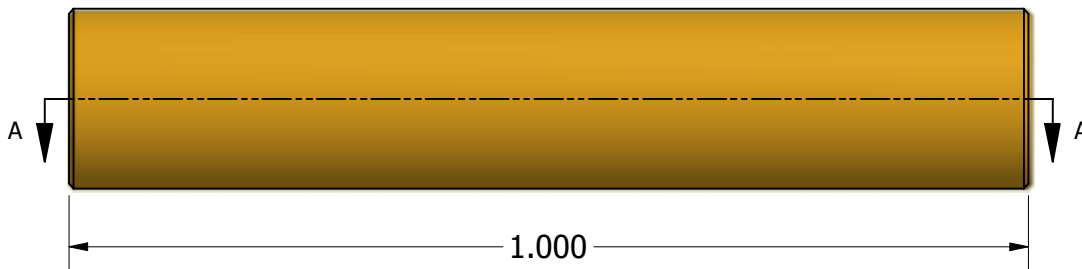


SECTION A-A



ISO SCALE 3 : 1



Tolerances Unless Otherwise Specified:

.xx Decimal:  $\pm .02$   
 .xxx Decimal:  $\pm .005$   
 Fraction:  $\pm 1/64$   
 Angle:  $\pm 2^\circ$

**LYN-TRON, INC.**

Part Number:

**BR6340-04-1.000**

Description:

**3/16 Round Spacer**

Drawn By:

**JEFFN**

**06/19/2010**

Gauge:

Material:

**Brass**

Scale:

**5 : 1**