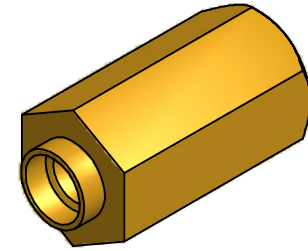
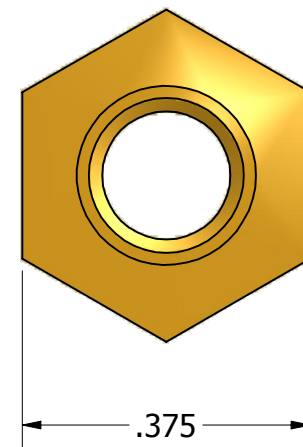
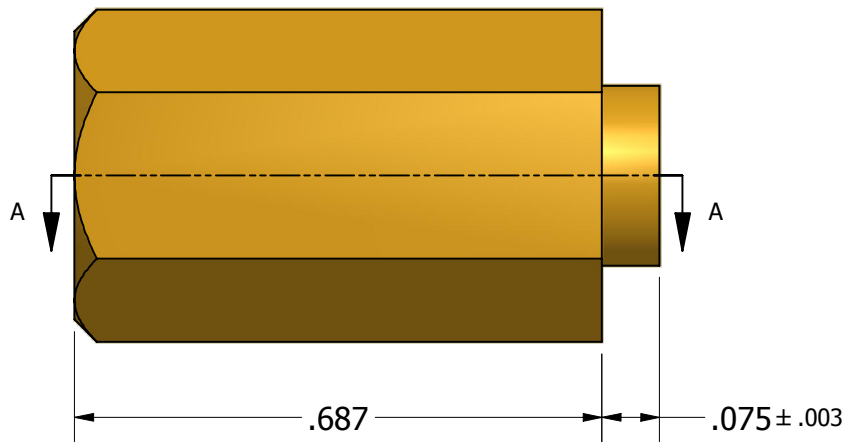


SECTION A-A



ISO SCALE 2 : 1



Tolerances Unless Otherwise Specified:

- .xx Decimal:**  $\pm .02$
- .xxx Decimal:**  $\pm .005$
- Fraction:**  $\pm 1/64$
- Angle:**  $\pm 2^\circ$

**LYN-TRON, INC.**

Part Number:

**BR6334A-0.687**

Description:

**3/8 Hex Swage Spacer**

Drawn By:

**COURTNEYS04/27/2011**

Gauge:

Material:

**Brass**

Scale:

**4 : 1**