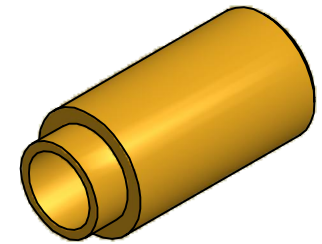
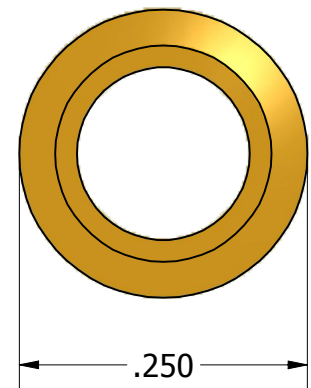
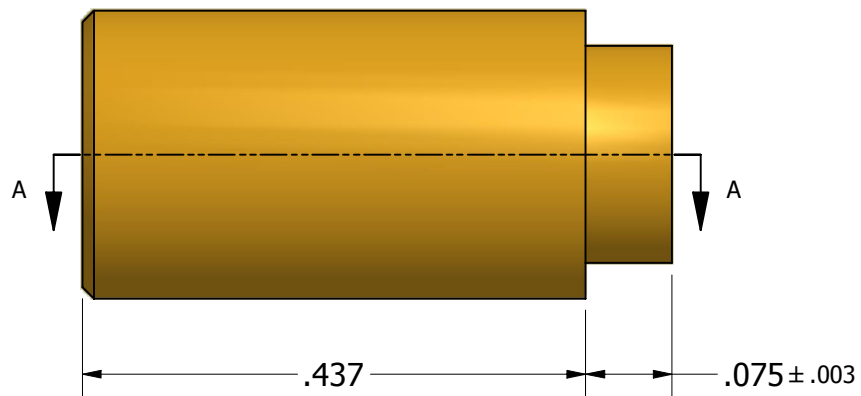


SECTION A-A



ISO SCALE 3 : 1



Tolerances Unless Otherwise Specified:

.xx Decimal: ± .02
 .xxx Decimal: ± .005
 Fraction: ± 1/64
 Angle: ± 2°

LYN-TRON, INC.

Part Number:

BR6310A-0.437

Description:

1/4 Round Swage Spacer

Drawn By:

COURTNEYS07/12/2010

Gauge:

Material:

Brass

Scale:

6 : 1