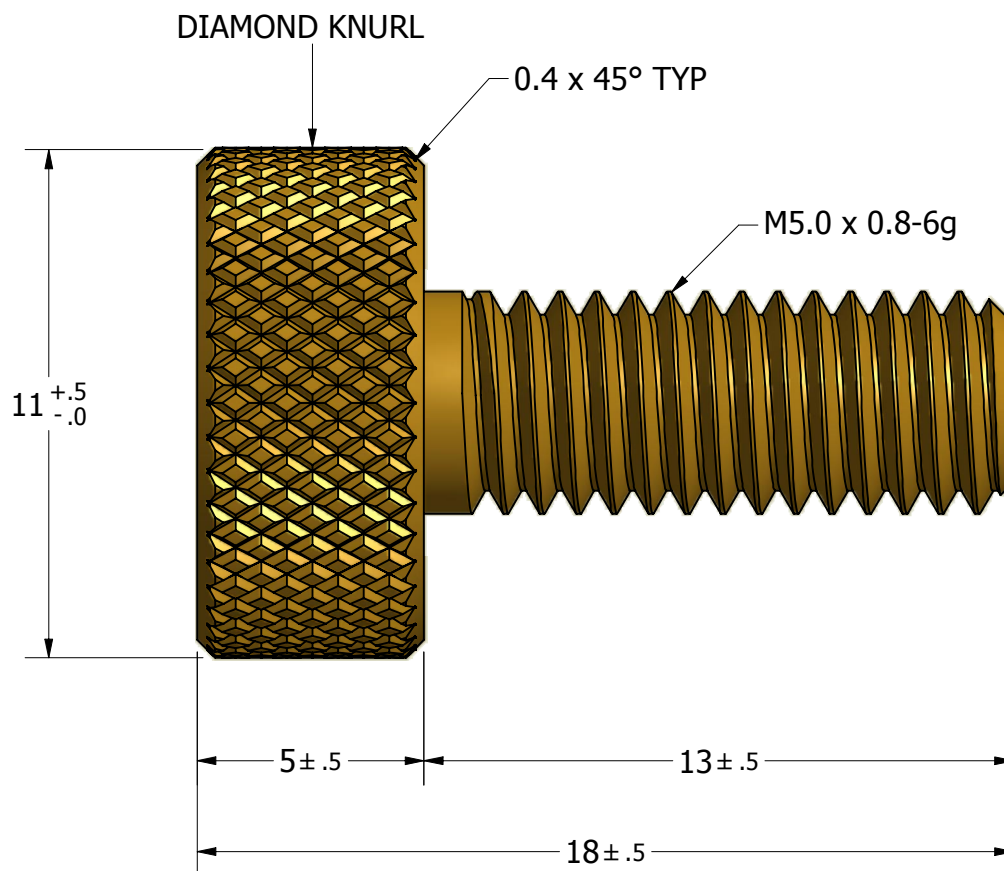


ISO SCALE 2 : 1



Tolerances Unless Otherwise Specified:

.xx Decimal: ± .01
.xxx Decimal: ± .004
Fraction: ± 1/64
Angle: ± 2°

LYN-TRON, INC.

Part Number:

BR5480

Description:

11mm Round Plain Thumb Screw

Drawn By:

Cameron C. 1/15/2014

Gauge:

Material:

Brass

Scale:

6:1