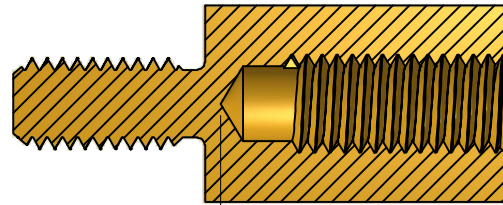


SECTION A-A

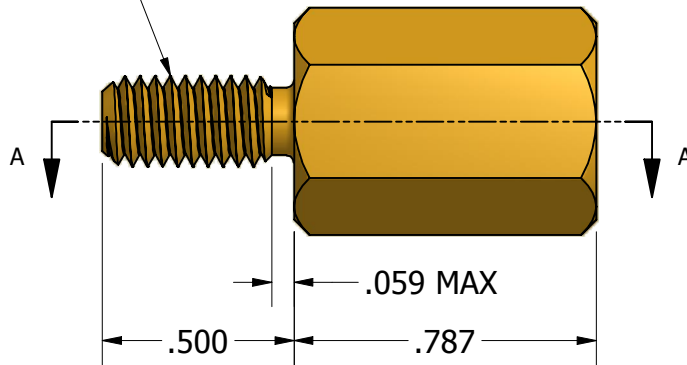


.040 MIN



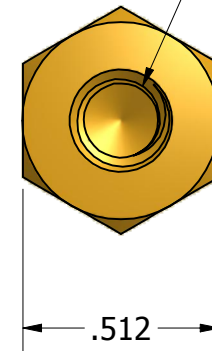
ISO SCALE 1 / 2

M6.0 X 1.0 - 6G



M6.0 X 1.0 - 6H

▽ .563 MIN



Tolerances Unless Otherwise Specified:

.xx Decimal: ± .01
 .xxx Decimal: ± .004
 Fraction: ± 1/64
 Angle: ± 2°

LYN-TRON, INC.

Part Number:

BR5182-20.0

Description:

13mm Hex Male-Female Standoff

Drawn By:

Rick Z 8/22/2011

Gauge:

Material:

Brass 360

Scale:

2:1