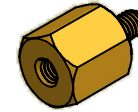
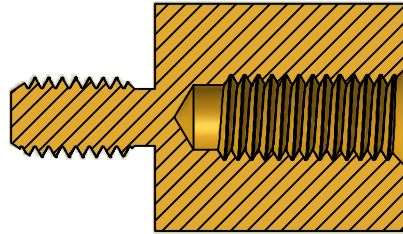
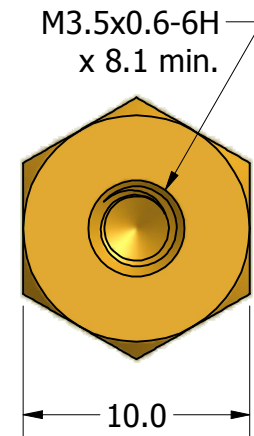
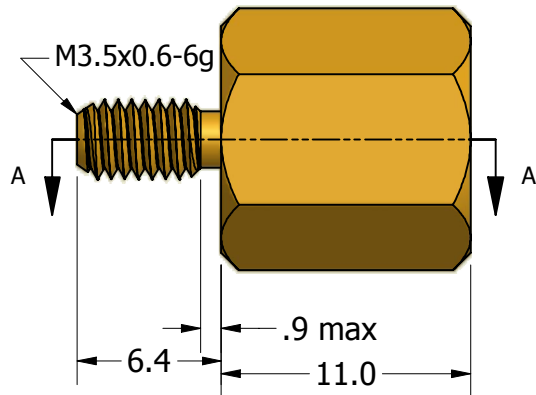


SECTION A-A



ISO SCALE 1 : 1



Tolerances Unless Otherwise Specified:		LYN-TRON, INC.	
.x Decimal:	± 0.3		
.xx Decimal:	± .13	Part Number:	
Fraction:	± 1/64	BR5178-11.0	
Angle:	± 2°	Description:	
		10mm Hex M3.5x.6 M/F Standoff	
Drawn By:	Gauge:	Material:	Scale:
COURTNEYS08/14/2012		Brass	3 : 1