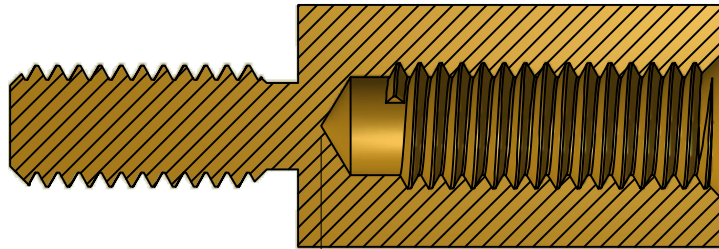
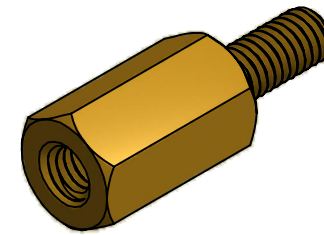


SECTION A-A

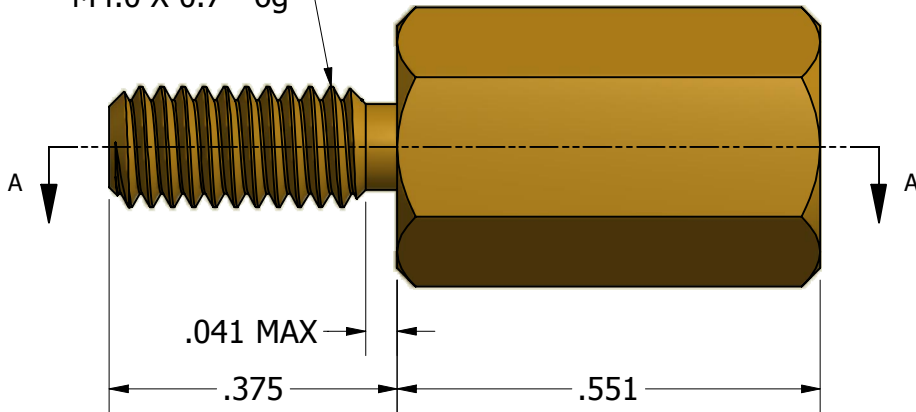


.030 MIN

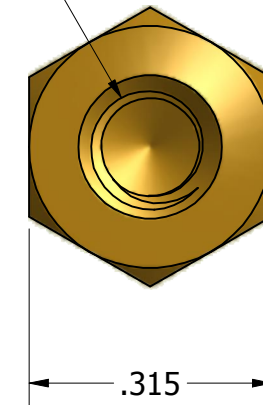


ISO SCALE 2 : 1

M4.0 X 0.7 - 6g



M4.0 X 0.7 - 6H
▽ .425 MIN



Tolerances Unless Otherwise Specified:

.xx Decimal: ± .01
.xxx Decimal: ± .004
Fraction: ± 1/64
Angle: ± 2°

LYN-TRON, INC.

Part Number:

BR5176-14.0

Description:

8mm Hex Male-Female Standoff

Drawn By:

Rick Z 1/11/2012

Gauge:

Material:

Brass 360

Scale:

4:1