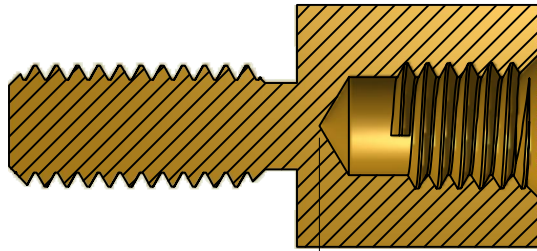
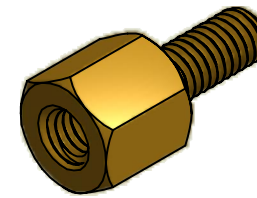
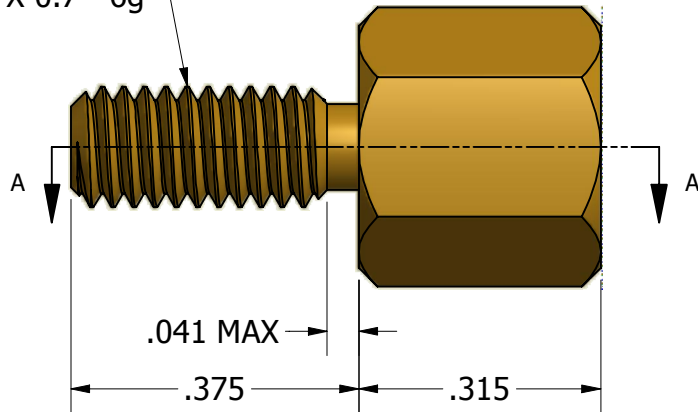


SECTION A-A



.030 MIN

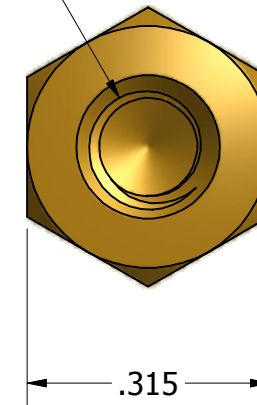
M4.0 X 0.7 - 6g



ISO SCALE 2 : 1

M4.0 X 0.7 -6H

▽ .180 MIN



Tolerances Unless Otherwise Specified:

.xx Decimal: ± .01
 .xxx Decimal: ± .004
 Fraction: ± 1/64
 Angle: ± 2°

LYN-TRON, INC.

Part Number:

BR5176-08.0

Description:

8mm Hex Male-Female Standoff

Drawn By:

Rick Z

1/11/2012

Gauge:

Material:

Brass 360

Scale:

4:1