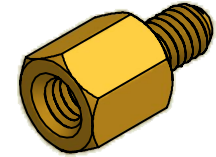
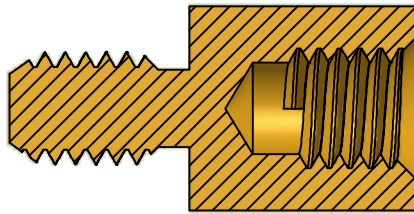
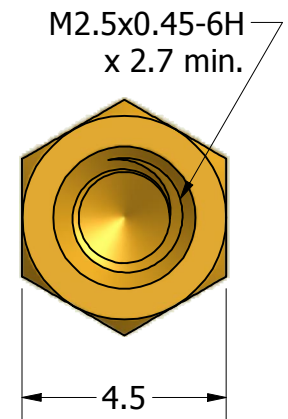
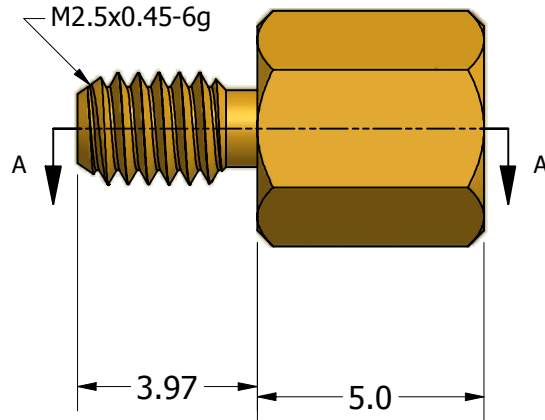


SECTION A-A



ISO SCALE 3 : 1



Tolerances Unless Otherwise Specified:

.x Decimal: ± 0.3
 .xx Decimal: $\pm .13$
 Fraction: $\pm 1/64$
 Angle: $\pm 2^\circ$

LYN-TRON, INC.

Part Number:

BR5170-05.0

Description:

4.5mm Hx 2545 M/F

Drawn By:

COURTNEYS08/03/2012

Gauge:

Material:

Brass

Scale:

6 : 1