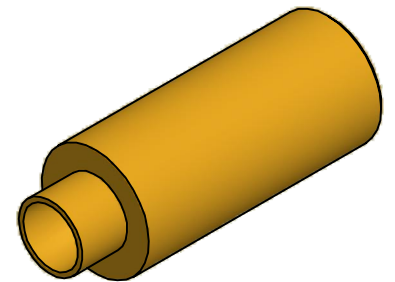
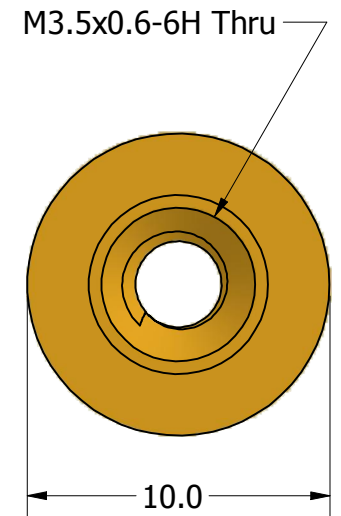
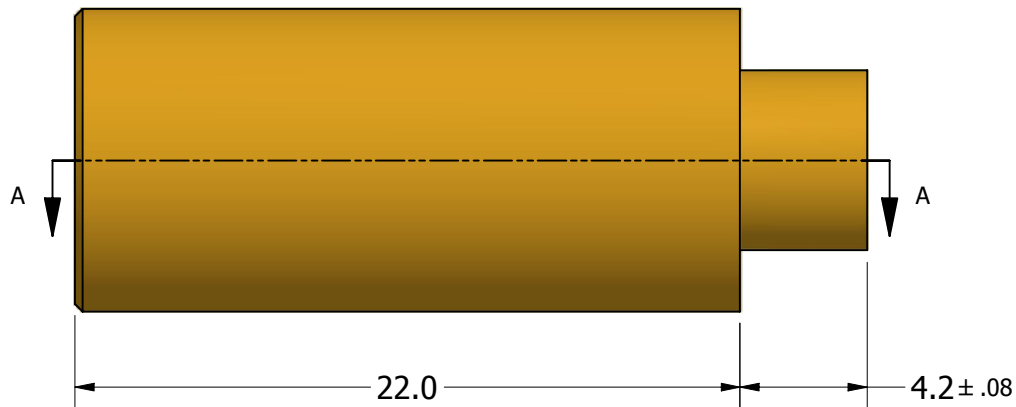


SECTION A-A



ISO SCALE 2 : 1



Tolerances Unless Otherwise Specified:

.x Decimal: ± 0.3
 .xx Decimal: ± .13
 Fraction: ± 1/64
 Angle: ± 2°

LYN-TRON, INC.

Part Number:

BR5121D-22.0

Description:

10mm Rnd M3.5X.6 Swage Standoff

Drawn By:

RICKZ 03/14/2012

Gauge:

Material:

Brass

Scale:

4 : 1