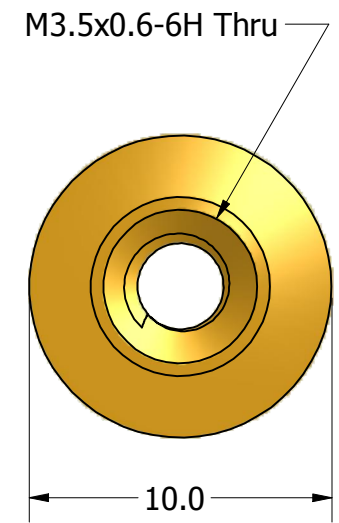
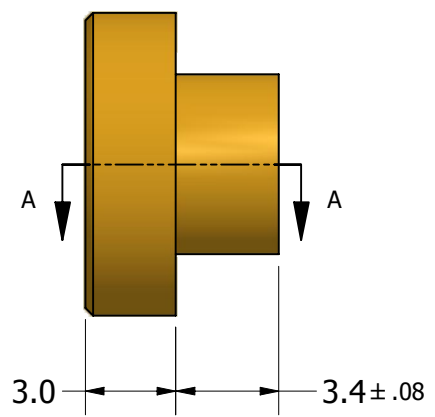


SECTION A-A



ISO SCALE 2 : 1



Tolerances Unless Otherwise Specified:  
**.x Decimal:** ± 0.3  
**.xx Decimal:** ± .13  
**Fraction:** ± 1/64  
**Angle:** ± 2°

**LYN-TRON, INC.**

Part Number:  
**BR5121C-03.0**

Description:  
**10mm Rnd M3.5X.6 Swage Standoff**

Drawn By:  
**RICKZ 03/14/2012**

Gauge:

Material:  
**Brass**

Scale:  
**4 : 1**