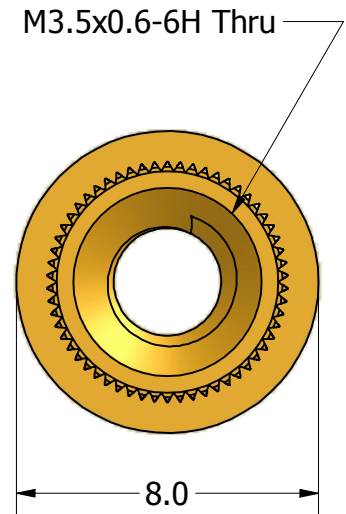
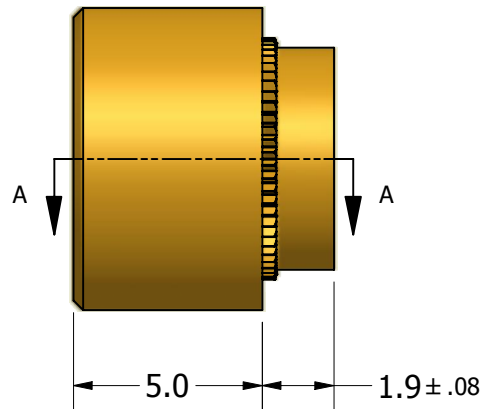


SECTION A-A



ISO SCALE 2 : 1



Tolerances Unless Otherwise Specified:		LYN-TRON, INC.	
.x Decimal:	± 0.3		
.xx Decimal:	± .13	Part Number:	
Fraction:	± 1/64	BR5117SPA-05.0	
Angle:	± 2°	Description:	
		8mm Rnd M3.5X.6 Swage Standoff	
Drawn By:	Gauge:	Material:	Scale:
COURTNEYS08/02/2012		Brass	5 : 1