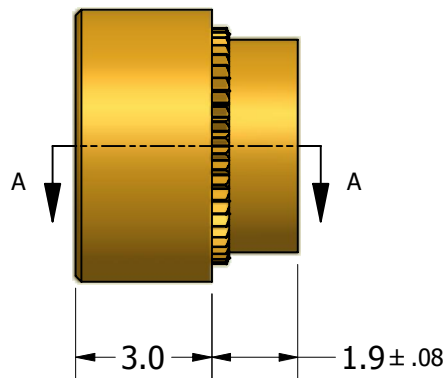


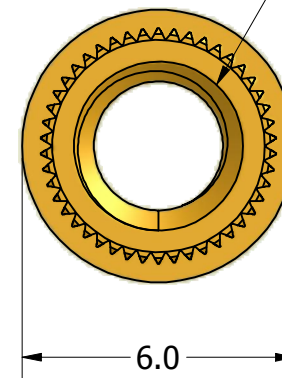
SECTION A-A



ISO SCALE 3 : 1



M3.5x0.6-6H Thru



Tolerances Unless Otherwise Specified:

.x Decimal: ± 0.3
 .xx Decimal: $\pm .13$
 Fraction: $\pm 1/64$
 Angle: $\pm 2^\circ$

LYN-TRON, INC.

Part Number:

BR5115SPA-03.0

Description:

6mm Rnd M3.5X.6 Swage Standoff

Drawn By:

COURTNEYS07/31/2012

Gauge:

Material:

Brass

Scale:

6 : 1