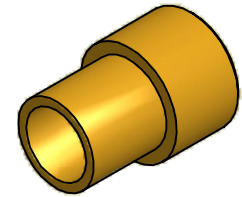
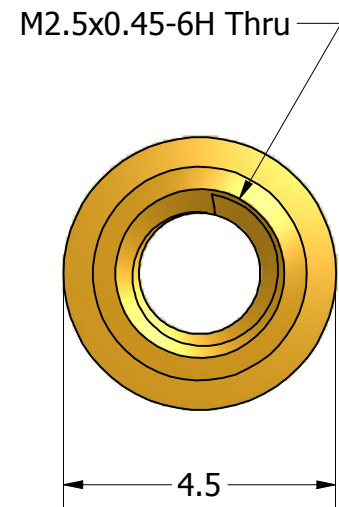
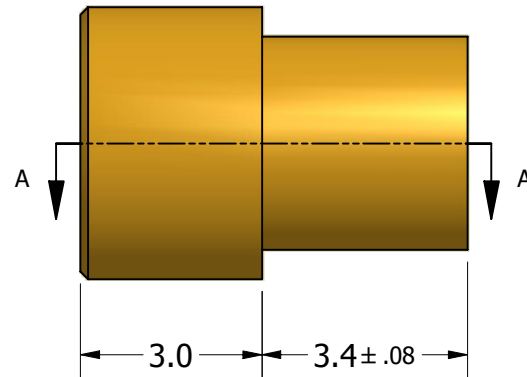


SECTION A-A



ISO SCALE 4 : 1



Tolerances Unless Otherwise Specified:

.x Decimal: ± 0.3
 .xx Decimal: ± .13
 Fraction: ± 1/64
 Angle: ± 2°

LYN-TRON, INC.

Part Number:

BR5107C-03.0

Description:

4.5mm Rnd M2.5X.45 Swage Standoff

Drawn By:

RICKZ 03/05/2012

Gauge:

Material:

Brass

Scale:

8 : 1