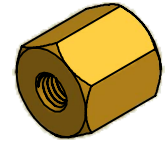
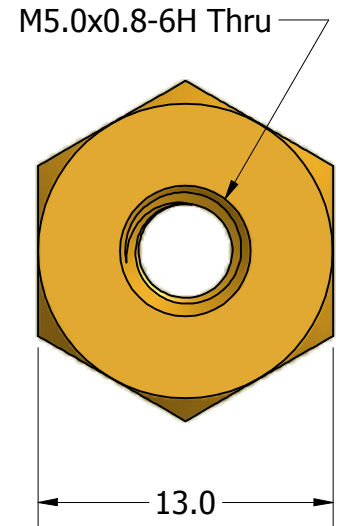
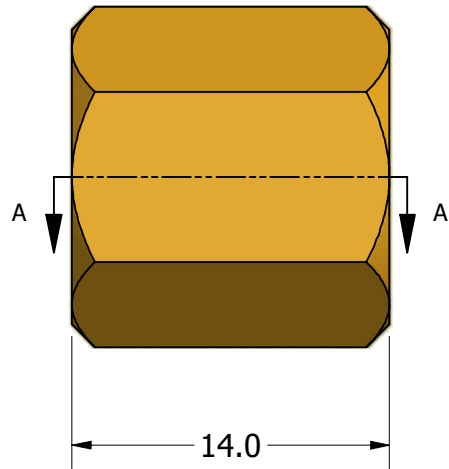


SECTION A-A



ISO SCALE 1 : 1



Tolerances Unless Otherwise Specified:

.x Decimal: ± 0.3
.xx Decimal: ± .13
Fraction: ± 1/64
Angle: ± 2°

LYN-TRON, INC.

Part Number:
BR5088-5080-14.0

Description:
13mm Hex Standoff

Drawn By:
COURTNEYS08/16/2012

Gauge:
Brass

Material:
Brass

Scale:
3 : 1