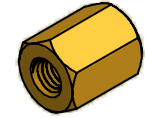
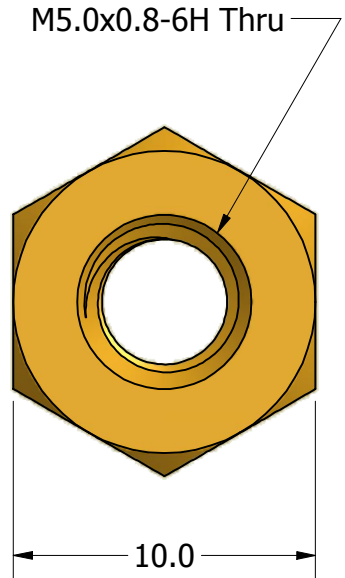
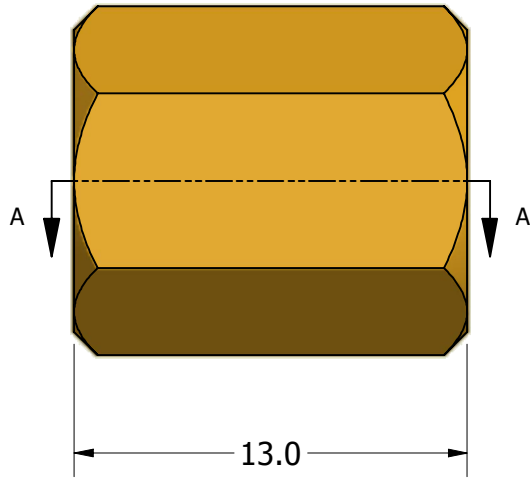


SECTION A-A



ISO SCALE 1 : 1



Tolerances Unless Otherwise Specified:

**.x Decimal:** ± 0.3  
**.xx Decimal:** ± .13  
**Fraction:** ± 1/64  
**Angle:** ± 2°

**LYN-TRON, INC.**

Part Number:  
**BR5086-5080-13.0**

Description:  
**10mm Hex Standoff**

Drawn By:  
**COURTNEYS08/14/2012**

Gauge:  
**Brass**

Scale:  
**4 : 1**