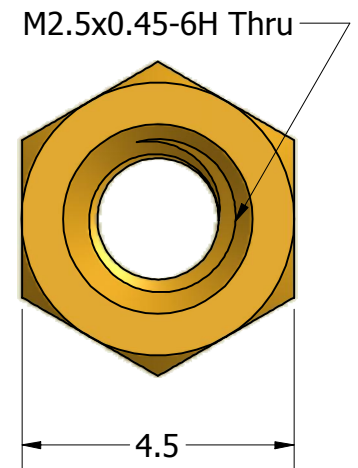
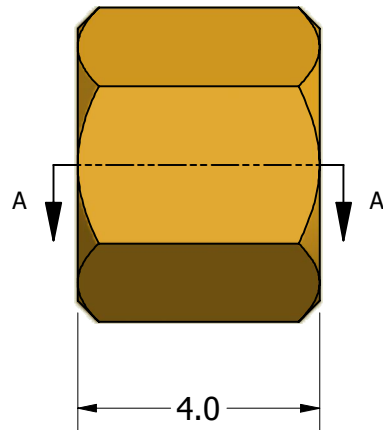


SECTION A-A



ISO SCALE 3 : 1



Tolerances Unless Otherwise Specified:			
.x Decimal:	± 0.3		
.xx Decimal:	± .13	Part Number:	
Fraction:	± 1/64	BR5081-2545-04.0	
Angle:	± 2°	Description:	
		4.5mm Hex Standoff	
Drawn By:	Gauge:	Material:	Scale:
COURTNEYS08/07/2012		Brass	8 : 1