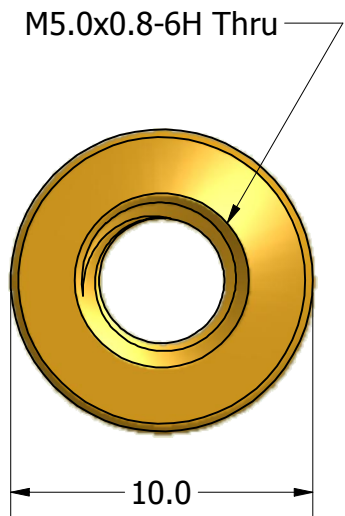
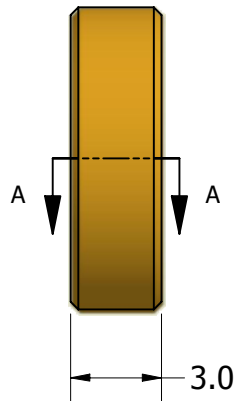


SECTION A-A



ISO SCALE 1 : 1



Tolerances Unless Otherwise Specified:		LYN-TRON, INC.	
.x Decimal:	± 0.3		
.xx Decimal:	$\pm .13$	Part Number:	
Fraction:	$\pm 1/64$	BR5074-5080-03.0	
Angle:	$\pm 2^\circ$	Description:	
		10mm Rnd Standoff	
Drawn By:	Gauge:	Material:	Scale:
JEFFN 06/20/2010		Brass	4 : 1