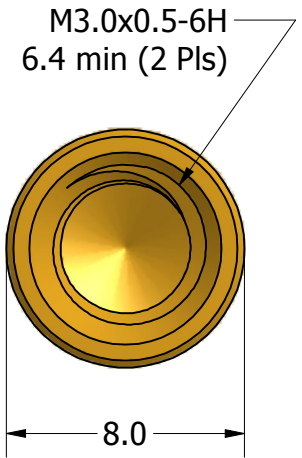
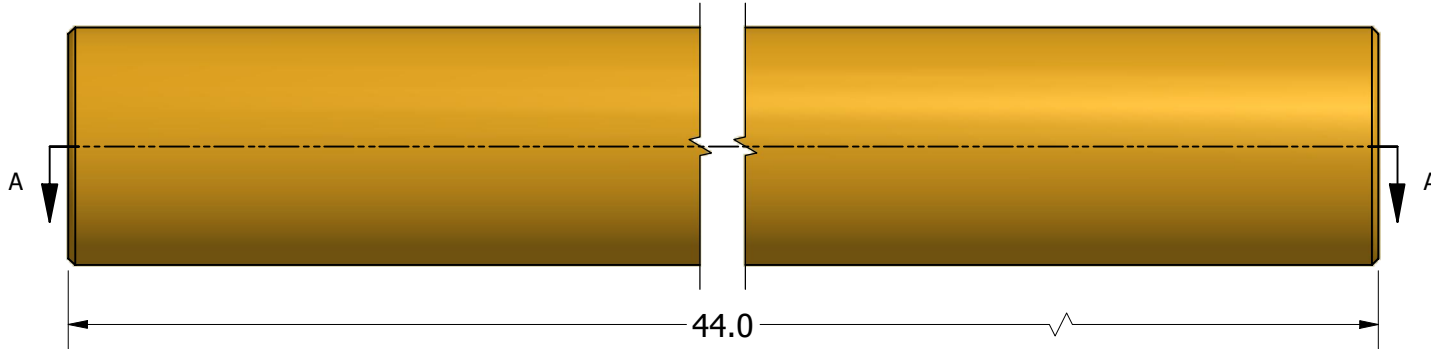
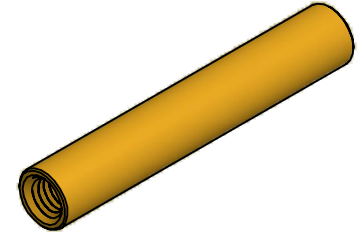
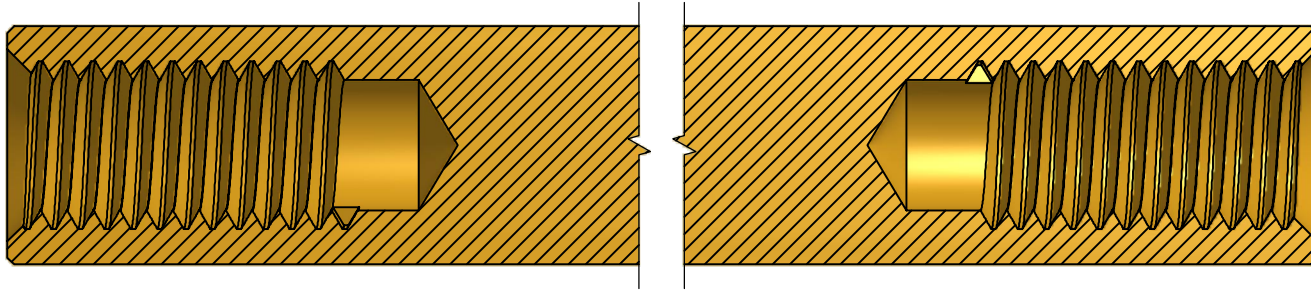


SECTION A-A



Tolerances Unless Otherwise Specified:

.x Decimal: ± 0.3
.xx Decimal: ± .13
Fraction: ± 1/64
Angle: ± 2°

LYN-TRON, INC.

Part Number:
BR5073-3050-44.0

Description:
8mm Rnd F/F Standoff

Drawn By:
COURTNEYS01/21/2012

Gauge:

Material:
Brass

Scale:
NTS