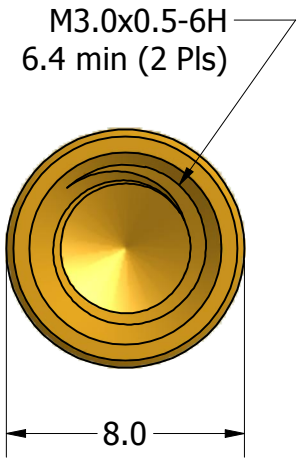
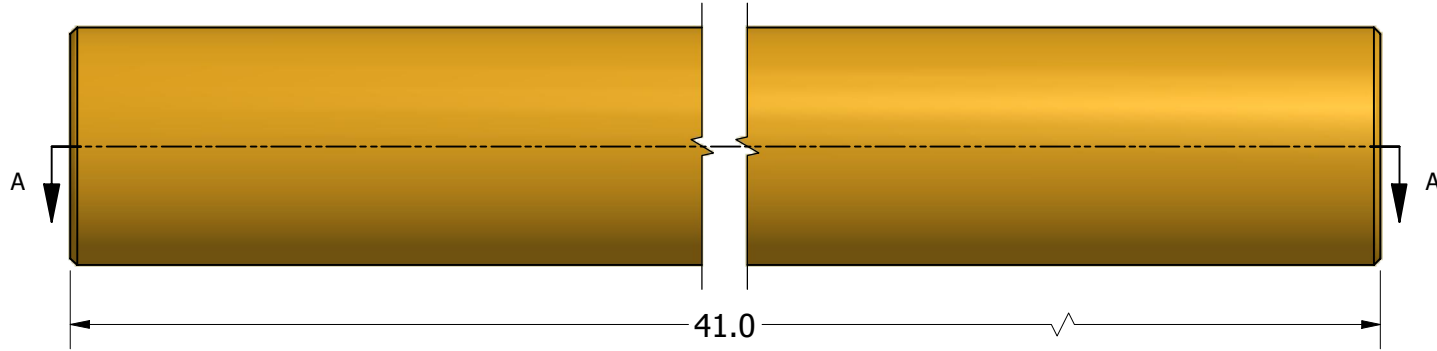
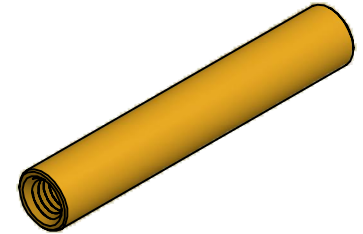
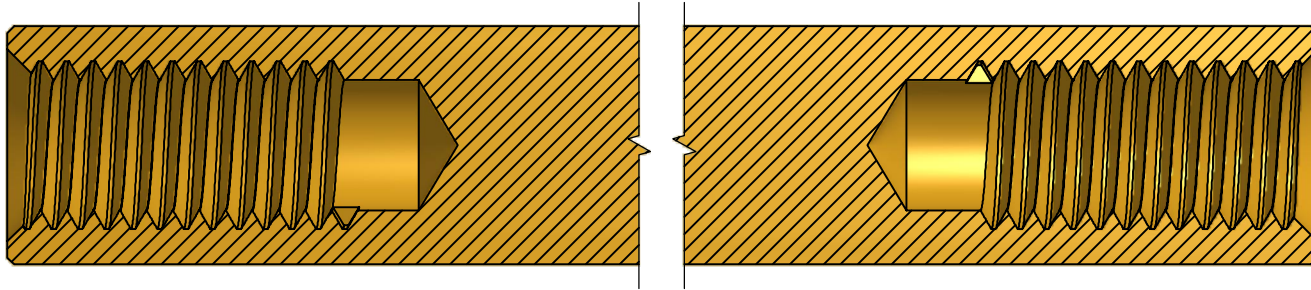


SECTION A-A



| | | | |
|----------------------------------------|---------------|-----------------------------|------------|
| Tolerances Unless Otherwise Specified: | | LYN-TRON, INC. | |
| .x Decimal: | ± 0.3 | | |
| .xx Decimal: | ± .13 | Part Number: | |
| Fraction: | ± 1/64 | BR5073-3050-41.0 | |
| Angle: | ± 2° | Description: | |
| | | 8mm Rnd F/F Standoff | |
| Drawn By: | Gauge: | Material: | Scale: |
| COURTNEYS01/21/2012 | | Brass | NTS |