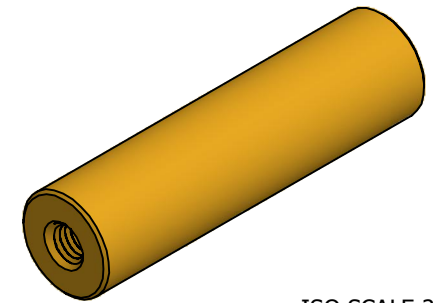
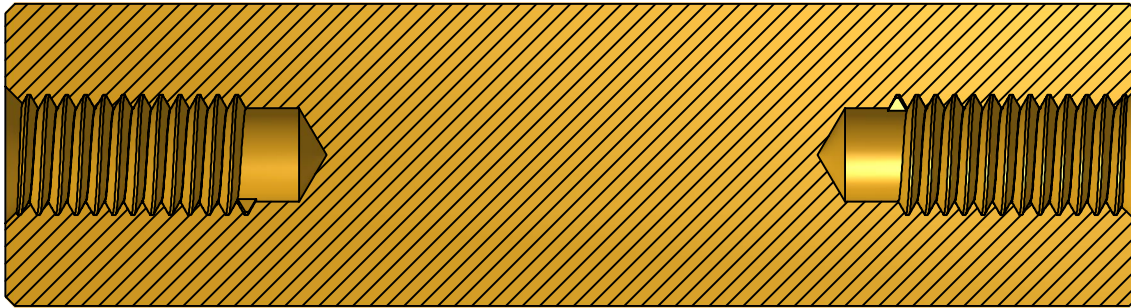
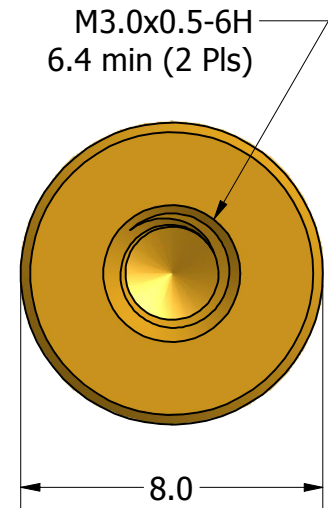
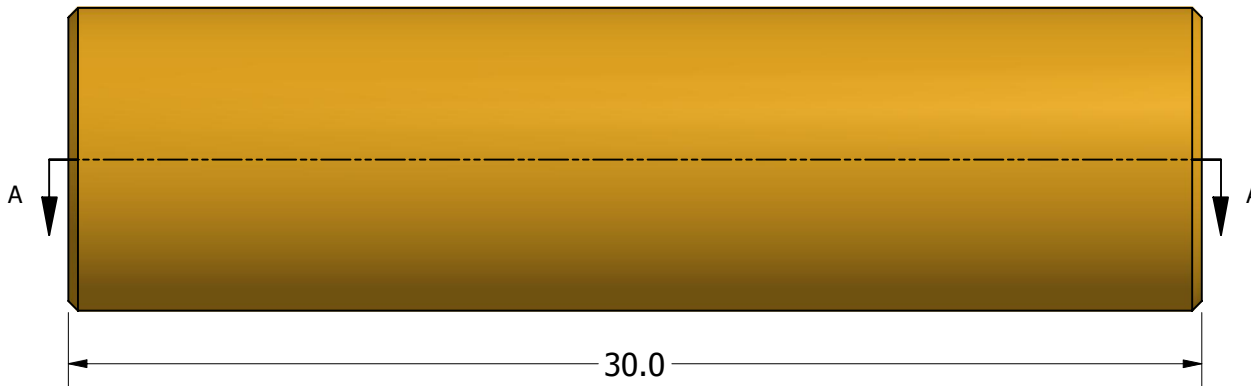


SECTION A-A



ISO SCALE 2 : 1



M3.0x0.5-6H
6.4 min (2 Pls)

8.0

30.0

Tolerances Unless Otherwise Specified:		LYN-TRON, INC.	
.x Decimal:	± 0.3		
.xx Decimal:	± .13	Part Number:	
Fraction:	± 1/64	BR5073-3050-30.0	
Angle:	± 2°	Description:	
		8mm Rnd F/F Standoff	
Drawn By:	Gauge:	Material:	Scale:
COURTNEYS01/21/2012		Brass	5 : 1