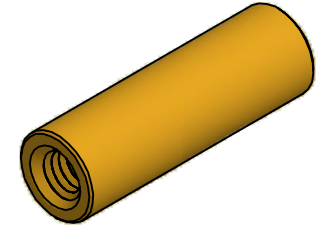
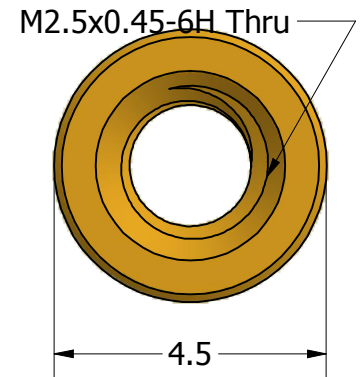
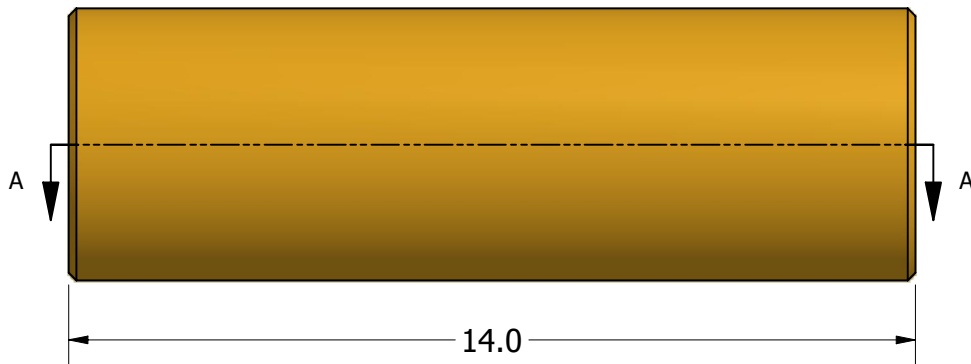


SECTION A-A



ISO SCALE 3 : 1



Tolerances Unless Otherwise Specified:

.x Decimal: ± 0.3
 .xx Decimal: $\pm .13$
 Fraction: $\pm 1/64$
 Angle: $\pm 2^\circ$

LYN-TRON, INC.

Part Number:

BR5069-2545-14.0

Description:

4.5mm Rnd Standoff

Drawn By:

COURTNEYS06/24/2010

Gauge:

Material:

Brass

Scale:

8 : 1