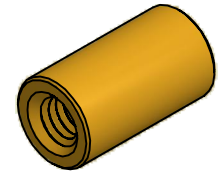
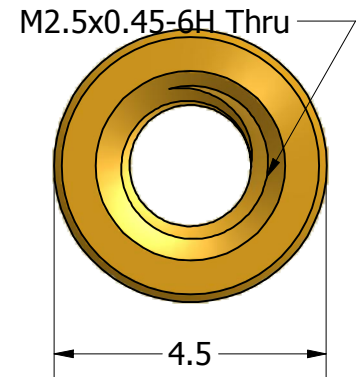
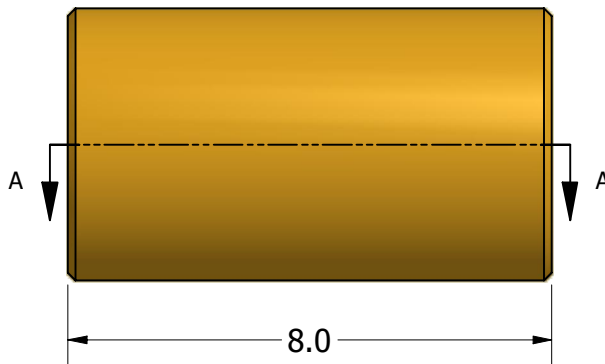


SECTION A-A



ISO SCALE 3 : 1



Tolerances Unless Otherwise Specified:

.x Decimal: ± 0.3
.xx Decimal: ± .13
Fraction: ± 1/64
Angle: ± 2°

LYN-TRON, INC.

Part Number:

BR5069-2545-08.0

Description:

4.5mm Rnd Standoff

Drawn By:

COURTNEYS06/24/2010

Gauge:

Material:

Brass

Scale:

8 : 1