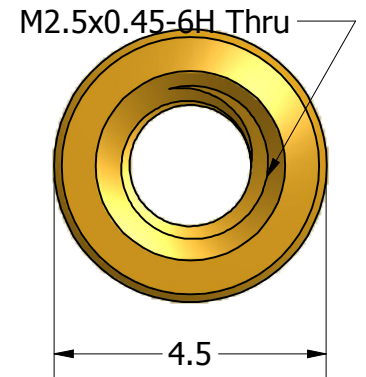
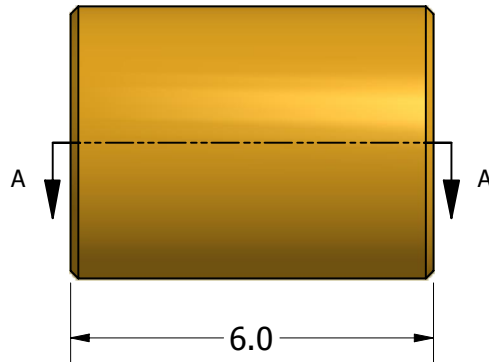


SECTION A-A



ISO SCALE 3 : 1



Tolerances Unless Otherwise Specified:

**.x Decimal:** ± 0.3  
**.xx Decimal:** ± .13  
**Fraction:** ± 1/64  
**Angle:** ± 2°

**LYN-TRON, INC.**

Part Number:

**BR5069-2545-06.0**

Description:

**4.5mm Rnd Standoff**

Drawn By:

**COURTNEYS06/24/2010**

Gauge:

Material:

**Brass**

Scale:

**8 : 1**