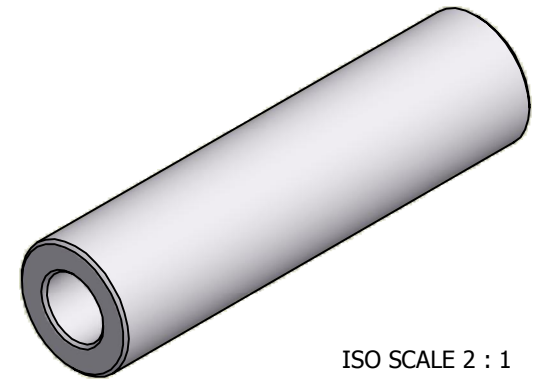
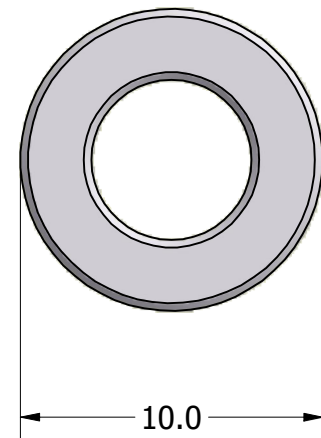
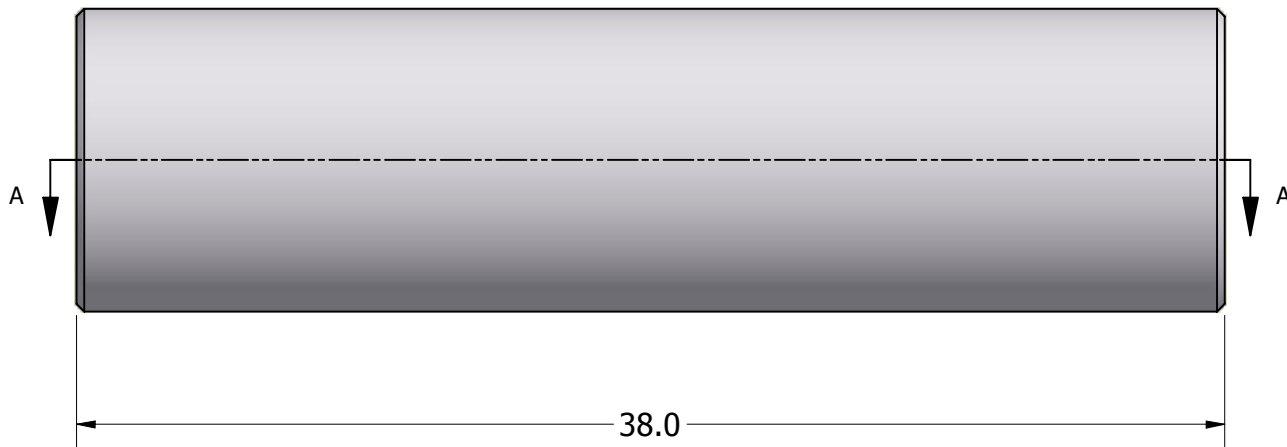


5.3 ± .13

SECTION A-A



ISO SCALE 2 : 1



Tolerances Unless Otherwise Specified:

.x Decimal: ± 0.3
 .xx Decimal: ± .13
 Fraction: ± 1/64
 Angle: ± 2°

LYN-TRON, INC.

Part Number:
BR5008-50-38.0

Description:
10mm Rnd Spacer

Drawn By:
JEFFN 06/20/2010

Gauge:

Material:
Brass

Scale:
4 : 1