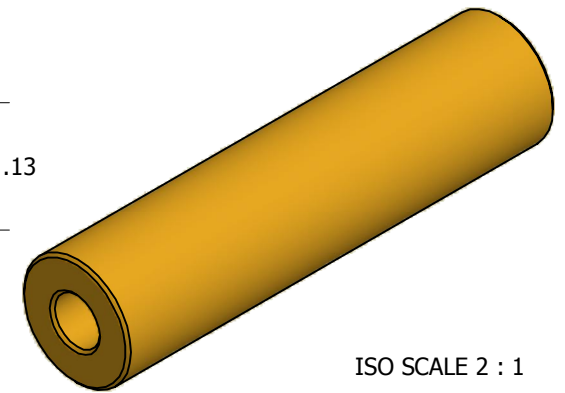
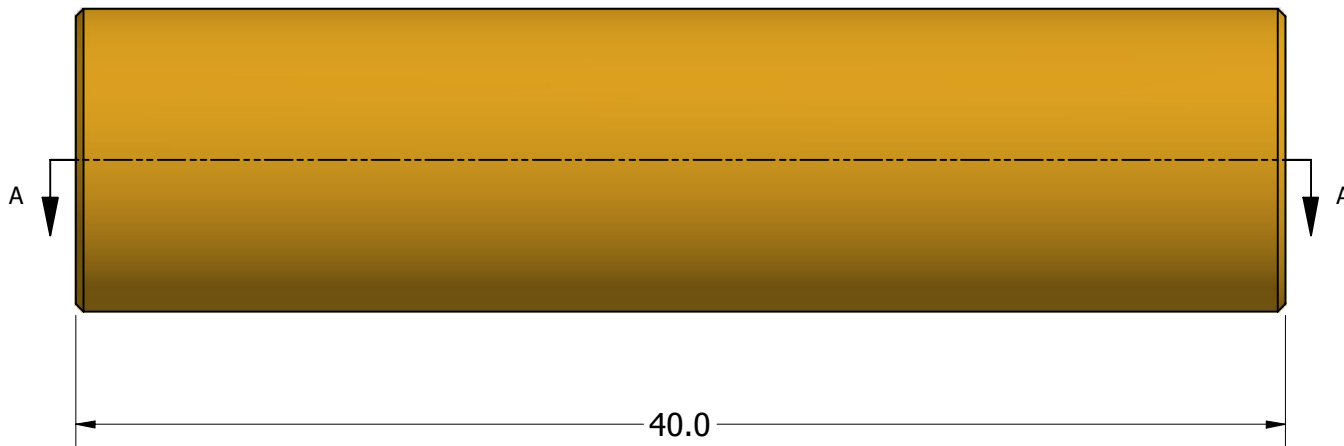


SECTION A-A

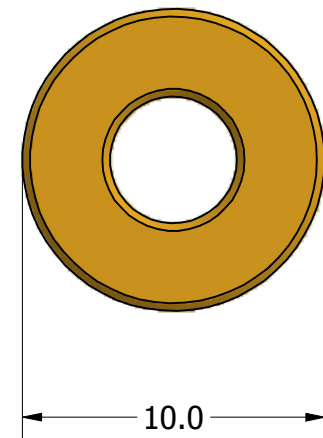
4.2 ± .13



ISO SCALE 2 : 1



40.0



10.0

Tolerances Unless Otherwise Specified:

.x Decimal: ± 0.3
 .xx Decimal: ± .13
 Fraction: ± 1/64
 Angle: ± 2°

LYN-TRON, INC.

Part Number:

BR5008-40-40.0

Description:

10mm Rnd Spacer

Drawn By:

CAMERONC 04/30/2013

Gauge:

Material:

Brass

Scale:

4 : 1